



Features

Exterior stainless steel with galvanized back and bottom reduces risk of corrosion.

Interior stainless steel throughout with coved corners and finished edges with 20 cubic feet of storage.

Environmentally friendly polyurethane foamed-in-place insulation for maximum strength and durability.

Four 5" casters (two with locks) secured to a steel base for years of trouble free operation.

Self contained R290 refrigeration system includes automatic defrost and forced air circulation for consistent top to bottom temperature control.

3 Wire power cord standard 8 foot NEMA 5-15 plug.

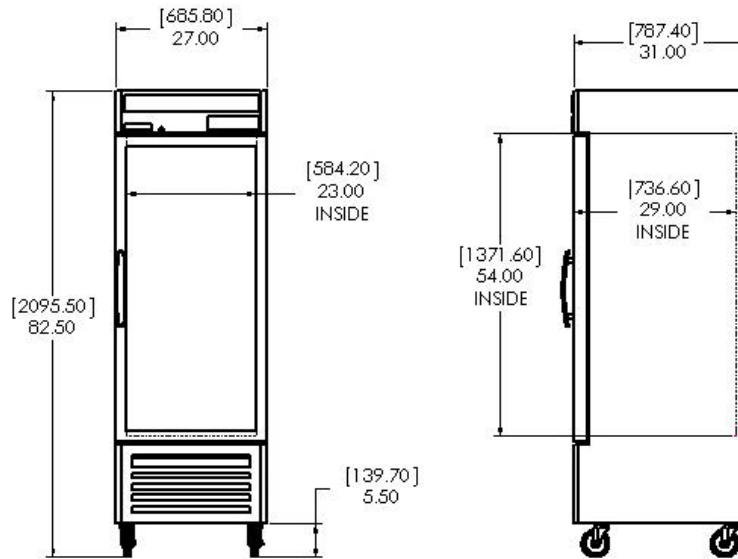
Electronic control with digital readout provides easy adjustment and features a door open alarm.

Automatic condensate evaporator means no plumbing or floor drains.

4 heavy gauge wire epoxy coated shelves for superior durability and a smooth finish easily adjustable in one inch increments on pilasters.

Limited Warranty: 1-year labor, 1-year parts, 5-year compressor (part only), 90-days replacement parts. Warranty is determined by the original equipment manufacturing date for general market.*

*See detailed Terms & Conditions on Silver King website.



Technical Specifications

Dimensions

Model Number	Width in (mm)	Height in (mm)	Depth in (mm)	Gross Shipping Wgt lb (kg)	Unit Shipping Wgt lb (kg)	Shipping cu ft (cu m)
SKRU27-EGUS2 (RH DOOR SWING)	27 (685.80)	82.50 (2095.50)	31 (787.40)	315 (143)	300 (136.78)	48.50 (1.37)
SKRU27-EGUS3 (LH DOOR SWING)	27 (685.80)	82.50 (2095.50)	31 (787.40)	315 (143)	300 (136.78)	48.50 (1.37)

Electrical

Model Number	Country of Origin	Amps	Voltage	Hz	Plug	Refrigerant
SKRU27-EGUS2	KOREA	2.0	120VAC	60	NEMA 5-15P	R290
SKRU27-EGUS3	KOREA	2.0	120VAC	60	NEMA 5-15P	R290

Certifications



To learn more about our **27" Upright Refrigerator with Glass Door**, visit silverking.com. To contact us directly, go to silverking.com/contact