



Features

Exterior stainless steel with galvanized back and bottom reduces risk of corrosion.

Interior aluminum with coved corners and finished edges for easy cleaning.

Environmentally friendly polyurethane foamed-in-place insulation for maximum strength and durability.

Four 5" casters (two with locks) provide for ease of placement.

3 Wire power cord is a standard 8 feet with NEMA 5-15P plug.

CFC-free refrigerant, hermetically sealed, high efficiency, self contained refrigeration system with automatic defrost and forced air circulation.

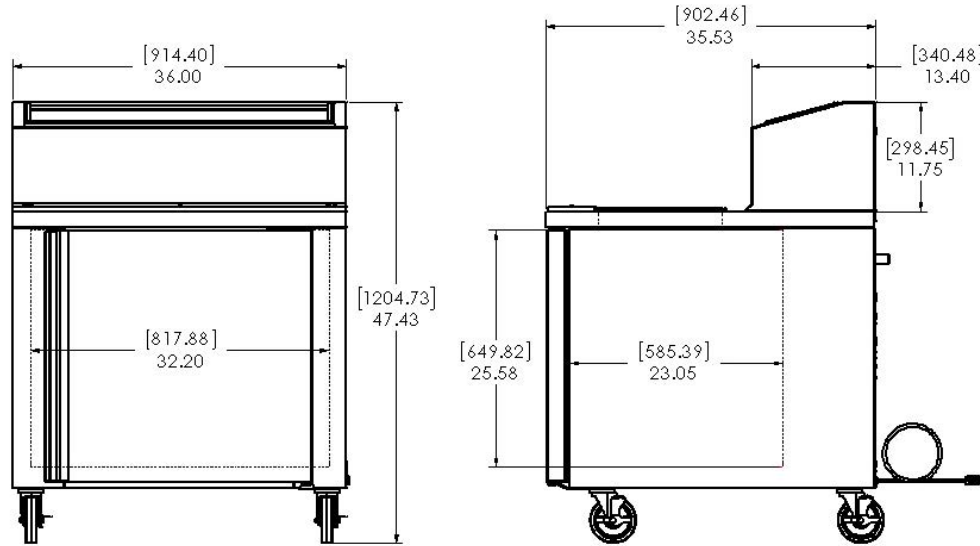
Santoprene™ gaskets last four times longer than the industry standard.

Coated shelf is mounted on stainless steel pilasters adjustable in 1/2" increments.

Adjustable temperature control with display mounted in back for easy access.

Automatic condensate evaporator means no plumbing or floor drains.

Limited Warranty: 1-year labor, 1-year parts, 5-year compressor (part only), 90-days replacement parts. Warranty is determined by the original equipment manufacturing date for general market. *



Technical Specifications

Dimensions

Model Number	Width in (mm)	Height in (mm)	Depth in (mm)	Gross Shipping Wgt lb (kg)	Unit Shipping Wgt lb (kg)	Shipping cu ft (cu m)
SKRN36-RSUS2	36 (914.40)	47.43 (1204.73)	35.53 (902.46)	275 (124.74)	250 (113.40)	51.82 (1.47)

Electrical

Model Number	Country of Origin	Amps	Voltage	Hz	Plug	Refrigerant
SKRN36-RSUS2	USA	3.39	115VAC	60	NEMA 5-15P	R134A

Certifications



To learn more about our **36" Refrigerated Fountainette**, visit silverking.com

To contact us directly, go to silverking.com/contact