



## Features

**Exterior stainless steel** with galvanized back and bottom reduces risk of corrosion.

**Interior aluminum**, with coved corners and finished edges for easy cleaning.

**Environmentally friendly** polyurethane foamed-in-place insulation for maximum strength and durability.

**Supplied with four 3" casters** (two with locks) for ease of placement.

**Santoprene™ gaskets** last four times longer than the industry standard.

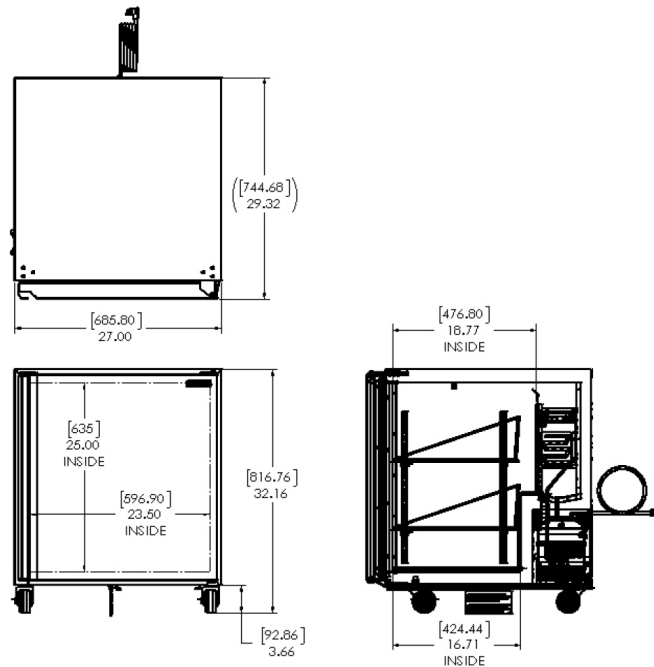
**3 Wire power cord** is a standard 8 feet in length with NEMA 5-15P plug.

**CFC-free, R290 refrigerant** hermetically sealed, high efficiency, self contained refrigeration system with automatic defrost and forced air circulation.

**Adjustable temperature control** mounted in back for easy access.

**Automatic condensate evaporator** means no plumbing or floor drains.

**Limited Warranty:** 1-year labor, 1-year parts, 5-year compressor (part only), 90-days replacement parts. Warranty is determined by the original equipment manufacturing date for general market. \*



## Technical Specifications

### Dimensions

Model Number	Width in (mm)	Height in (mm)	Depth in (mm)	Gross Shipping Wgt lb (kg)	Unit Shipping Wgt lb (kg)	Shipping cu ft (cu m)	Special Features
SKR27A-ESUS1	27 (685.80)	32.15 (816.68)	29.32 (744.64)	165 (74.84)	155 (70.3)	27.4 (.776)	3" CASTERS
SKR27A-ESUS2	27 (685.80)	32.15 (816.68)	29.32 (744.64)	165 (74.84)	155 (70.3)	27.4 (.776)	3" CASTERS LH DOOR
SKR27A-ESUS4	27 (685.80)	32.15 (816.68)	29.32 (744.64)	165 (74.84)	155 (70.3)	27.4 (.776)	3" CASTERS DRESSING CADDY

### Electrical

Model Number	Country of Origin	Amps	Voltage	Hz	Plug	Refrigerant
SKR27A-ESUS1	USA	1.6	120 VAC	60	NEMA 5-15P	R290
SKR27A-ESUS2	USA	1.6	120 VAC	60	NEMA 5-15P	R290
SKR27A-ESUS4	USA	1.6	120 VAC	60	NEMA 5-15P	R290

### Certifications



To learn more about our **27" Undercounter Refrigerator**, visit [silverking.com](http://silverking.com)  
To contact us directly, go to [silverking.com/contact](http://silverking.com/contact)