



Features

Exterior stainless steel with galvanized back and bottom reduces risk of corrosion.

Interior aluminum, with coved corners and finished edges for easy cleaning.

Environmentally friendly polyurethane foamed-in-place insulation for maximum strength and durability.

Supplied with four casters (two with locks) for ease of placement.

3 Wire power cord is a standard 8 feet in length with Type "E" plug.

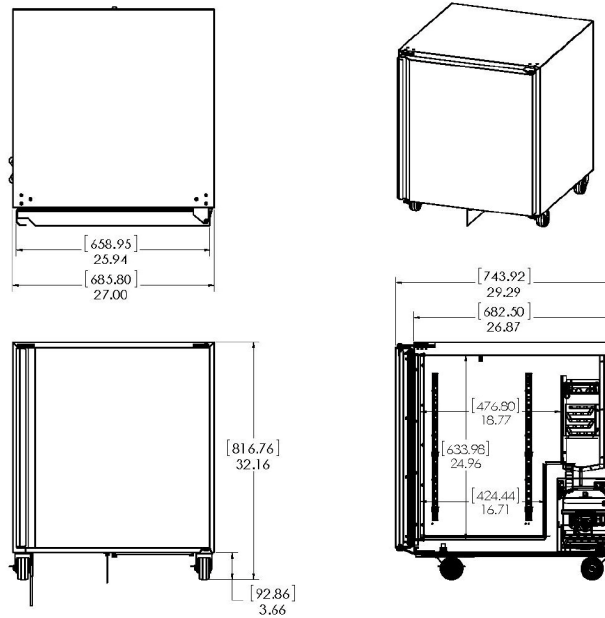
Santoprene™ gaskets last four times longer than the industry standard.

CFC-free, R134A refrigerant hermetically sealed, high efficiency, self contained refrigeration system with automatic defrost and forced air circulation.

Adjustable temperature control mounted in back for easy access.

Automatic condensate evaporator means no plumbing or floor drains.

Limited Warranty: 1-year labor, 1-year parts, 5-year compressor (part only), 90-days replacement parts. Warranty is determined by the original equipment manufacturing date for general market. *



Technical Specifications

Dimensions

Model Number	Width in (mm)	Height in (mm)	Depth in (mm)	Gross Shipping Wgt lb (kg)	Unit Shipping Wgt lb (kg)	Shipping cu ft (cu m)
SKR27A/CEU10	27 (685.80)	32.16 (816.76)	29.29 (743.92)	165 (74.84)	150 (68.04)	27.4 (.776)

Electrical

Model Number	Country of Origin	Amps	Voltage	Hz	Plug	Refrigerant
SKR27A/CEU10	USA	1.6	220-240 VAC	50/60	1 PH TYPE "E"	R134A

Certifications



To learn more about our **27" Undercounter Refrigerator**, visit silverking.com

To contact us directly, go to silverking.com/contact