

50" Mobile Freezer

Model: SKFMW50-ELUS1 115V/60HZ
With Insulated Side to Side Sliding Lids

Specification Guide



Features

Exterior stainless steel with galvanized bottom reduces risk of corrosion.

Interior stainless steel with coved corners and finished edges for easy cleaning.

Environmentally friendly polyurethane foamed-in-place insulation for maximum strength and durability.

Supplied with four 5" casters (two with locks) provide for ease of placement.

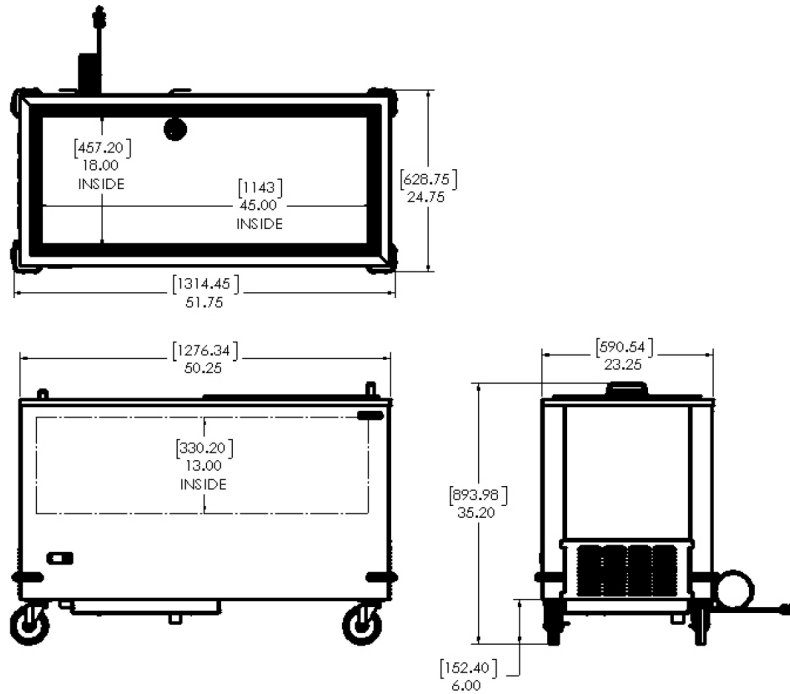
3 Wire power cord is a standard 8 feet in length with Mennekes® plug.

CFC-free, R290 refrigerant, hermetically sealed, high efficiency, self contained refrigeration system with manual defrost.

Adjustable temperature control mounted in front for easy access.

Limited Warranty: 1-year labor, 1-year parts, 5-year compressor (part only), 90-days replacement parts. Warranty is determined by the original equipment manufacturing date for general market. *

*See detailed Terms & Conditions on Silver King website.



Technical Specifications

Dimensions

Model Number	Width in (mm)	Height in (mm)	Depth in (mm)	Gross Shipping Wgt lb (kg)	Unit Shipping Wgt lb (kg)	Shipping cu ft (cu m)
SKFMW50-ELUS1	51.75 (1276.34)	35.20 (893.98)	24.75 (628.75)	260 (117.93)	245 (111.13)	42.95 (1.22)

Electrical

Model Number	Country of Origin	Amps	Voltage	Hz	Plug	Refrigerant
SKFMW50-ELUS1	USA	3.1	115 VAC	60	EN MENNEKES	R290

Certifications



To learn more about our **50" Mobile Freezer**, visit silverking.com
To contact us directly, go to silverking.com/contact