



## Features

**Exterior stainless steel** with galvanized bottom reduces risk of corrosion.

**Interior stainless steel** with coved corners and finished edges for easy cleaning.

**Environmentally friendly** polyurethane foamed-in-place insulation for maximum strength and durability.

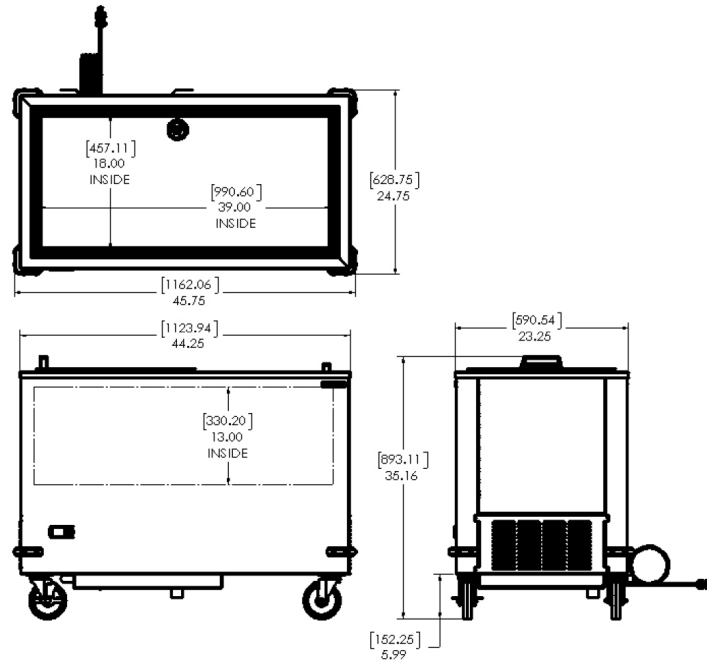
**Supplied with four 5" casters** (two with locks) provide for ease of placement.

**3 Wire power cord** is a standard 8 feet in length with Mennekes® plug.

**CFC-free, R290 refrigerant**, hermetically sealed, high efficiency, self contained refrigeration system with manual defrost.

**Adjustable temperature control** mounted in front for easy access.

**Limited Warranty:** 1-year labor, 1-year parts, 5-year compressor (part only), 90-days replacement parts. Warranty is determined by the original equipment manufacturing date for general market. \*



## Technical Specifications

### Dimensions

Model Number	Width in (mm)	Height in (mm)	Depth in (mm)	Gross Shipping Wgt lb (kg)	Unit Shipping Wgt lb (kg)	Shipping cu ft (cu m)
SKFMW44-ELUS1	45.75 (1162.06)	35.16 (893.11)	24.75 (628.75)	230 (104.33)	215 (97.52)	37.19 (1.053)

### Electrical

Model Number	Country of Origin	Amps	Voltage	Hz	Plug	Refrigerant
SKFMW44-ELUS1	USA	5.1	115 VAC	60	EN MENNEKES	R290

### Certifications



To learn more about our **44" Mobile Freezer**, visit [silverking.com](http://silverking.com)  
To contact us directly, go to [silverking.com/contact](http://silverking.com/contact)