



Features

Exterior stainless steel with galvanized bottom reduces risk of corrosion.

Interior stainless steel with coved corners and finished edges for easy cleaning.

Environmentally friendly polyurethane foamed-in-place insulation for maximum strength and durability.

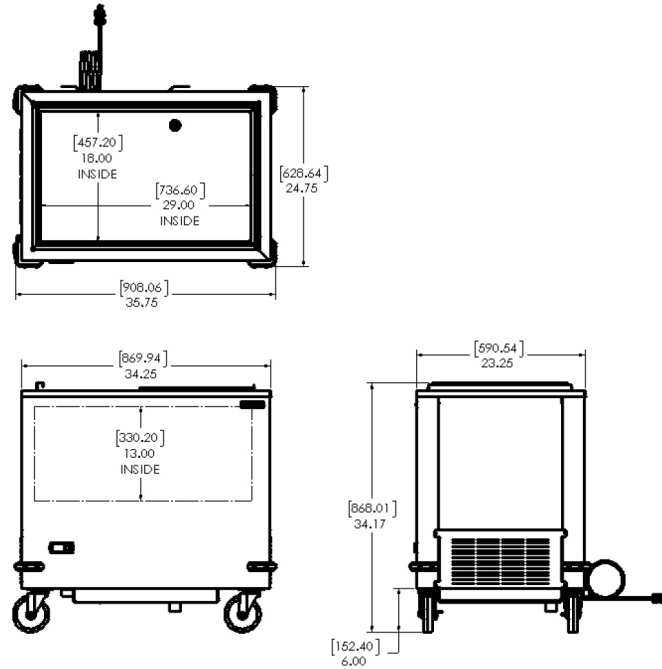
Supplied with four 5" casters (two with locks) provide for ease of placement.

3 Wire power cord is a standard 8 feet with TYPE "E" plug (FLEU3), TYPE "G" plug (FLUK3).

CFC-free, R404A refrigerant, hermetically sealed, high efficiency, self contained refrigeration system with manual defrost.

Adjustable temperature control mounted in front for easy access.

Limited Warranty: 1-year labor, 1-year parts, 5-year compressor (part only), 90-days replacement parts. Warranty is determined by the original equipment manufacturing date for general market. *



Technical Specifications

Dimensions

Model Number	Width in (mm)	Height in (mm)	Depth in (mm)	Gross Shipping Wgt lb (kg)	Unit Shipping Wgt lb (kg)	Shipping cu ft (cu m)
SKFMW34-FLEU3	35.75 (908.06)	34.17 (868.01)	24.75 (628.64)	190 (86.18)	175 (79.34)	26.84 (.541)
SKFMW34-FLUK3	35.75 (908.06)	34.17 (868.01)	24.75 (628.64)	190 (86.18)	175 (79.34)	26.84 (.541)

Electrical

Model Number	Country of Origin	Amps	Voltage	Hz	Plug	Refrigerant
SKFMW34-FLEU3	USA	5.3	220-240 VAC	50/60	TYPE "E"	R404A
SKFMW34-FLUK3	USA	5.3	220-240 VAC	50/60	TYPE "G"	R404A

Certifications



To learn more about our **34" Mobile Freezer**, visit silverking.com
To contact us directly, go to silverking.com/contact