



Features

Exterior stainless steel with galvanized bottom reduces risk of corrosion.

Interior stainless steel with coved corners and finished edges for easy cleaning.

Environmentally friendly polyurethane foamed-in-place insulation for maximum strength and durability.

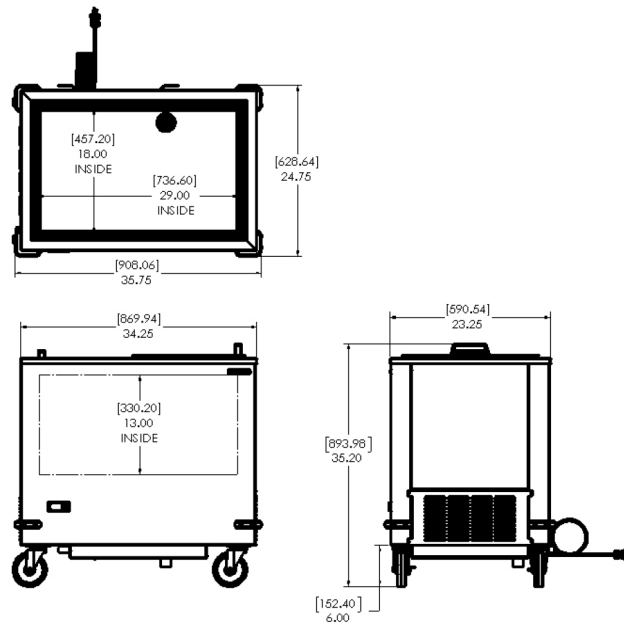
Supplied with four 5" casters (two with locks) provide for ease of placement.

3 Wire power cord is a standard 8 feet with Mennekes® plug.

CFC-free, R290 refrigerant, hermetically sealed, high efficiency, self contained refrigeration system with manual defrost.

Adjustable temperature control mounted in front for easy access.

Limited Warranty: 1-year labor, 1-year parts, 5-year compressor (part only), 90-days replacement parts. Warranty is determined by the original equipment manufacturing date for general market. *



Technical Specifications

Dimensions

Model Number	Width in (mm)	Height in (mm)	Depth in (mm)	Gross Shipping Wgt lb (kg)	Unit Shipping Wgt lb (kg)	Shipping cu ft (cu m)
SKFMW34-ELUS1	35.75 (908.06)	35.20 (893.98)	24.75 (628.64)	190 (86.18)	175 (79.34)	26.84 (.541)

Electrical

Model Number	Country of Origin	Amps	Voltage	Hz	Plug	Refrigerant
SKFMW34-ELUS1	USA	1.1	115VAC	60	EN MENNEKES	R290

Certifications



To learn more about our **34" Mobile Freezer**, visit silverking.com
To contact us directly, go to silverking.com/contact