



## Features

**Exterior stainless steel** with galvanized bottom reduces risk of corrosion.

**Interior stainless steel** with coved corners and finished edges for easy cleaning.

**Environmentally friendly** polyurethane foamed-in-place insulation for maximum strength and durability.

**Supplied with four casters** (two with locks) provide for ease of placement.

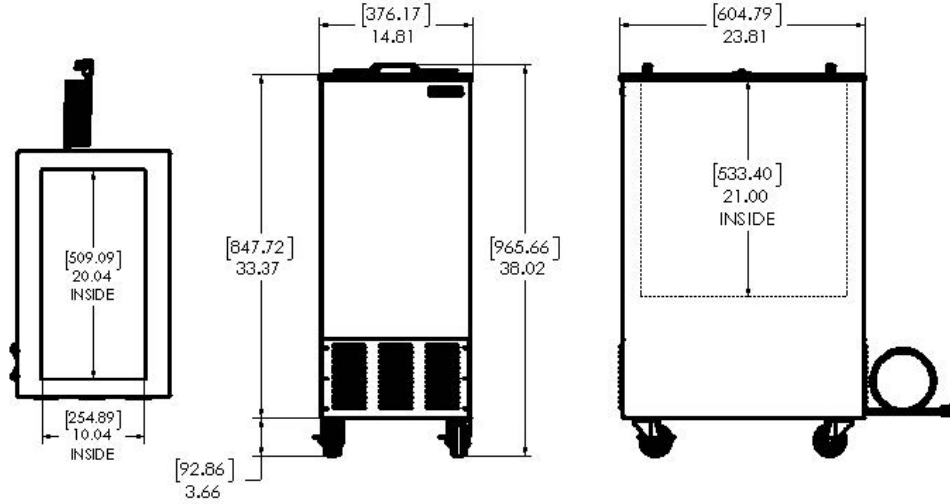
**3 Wire power cord** is a standard 8 feet length.

**CFC-free, R134A refrigerant**, hermetically sealed, high efficiency, self contained refrigeration system with manual defrost.

**Adjustable temperature control** mounted in the rear for easy access.

**Insulated lids** with stainless steel exterior.

**Limited Warranty:** 1-year labor, 1-year parts, 5-year compressor (part only), 90-days replacement parts. Warranty is determined by the original equipment manufacturing date for general market. \*



## Technical Specifications

### Dimensions

Model Number	Width in (mm)	Height in (mm)	Depth in (mm)	Gross Shipping Wgt lb (kg)	Unit Shipping Wgt lb (kg)	Shipping cu ft (cu m)
SKFI15-RLEU20	14.81 (376.17)	38.02 (965.66)	23.81 (604.79)	125 (56.70)	115 (52.16)	13.61 (.385)
SKFI15-RLUK20	14.81 (376.17)	38.02 (965.66)	23.81 (604.79)	125 (56.70)	115 (52.16)	13.61 (.385)

### Electrical

Model Number	Country of Origin	Amps	Voltage	Hz	Plug	Refrigerant
SKFI15-RLEU20	USA	1.0	230VAC	50/60	TYPE "E"	R134A
SKFI15-RLUK20	USA	1.0	230VAC	50/60	TYPE "G"	R134A

### Certifications



To learn more about our **15" Mobile Freezers**, visit [silverking.com](http://silverking.com)

To contact us directly, go to [silverking.com/contact](http://silverking.com/contact)