



Features

Exterior stainless steel with galvanized bottom reduces risk of corrosion.

Interior stainless steel with coved corners and finished edges for easy cleaning.

Environmentally friendly polyurethane foamed-in-place insulation for maximum strength and durability.

Supplied with four casters (two with locks) provide for ease of placement.

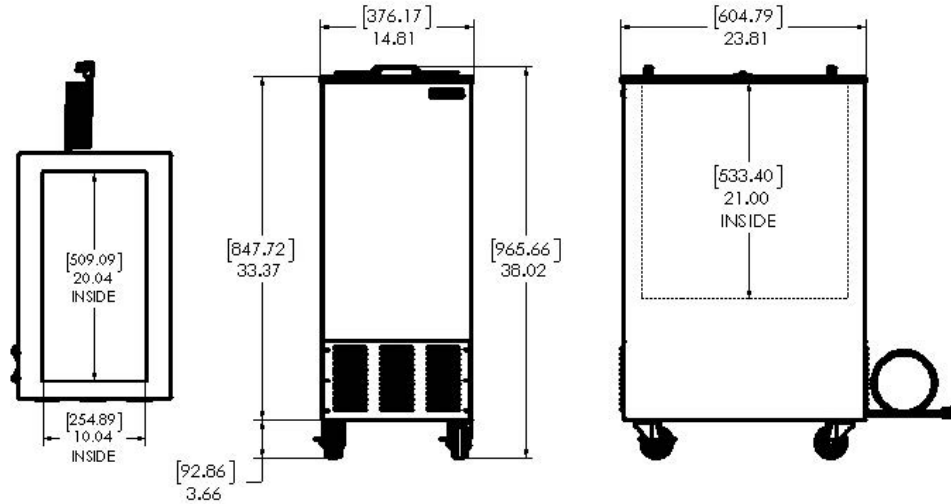
3 Wire power cord is a standard 8 feet with NEMA 5-15P plug.

CFC-free, R290 refrigerant, hermetically sealed, high efficiency, self contained refrigeration system with manual defrost.

Adjustable temperature control mounted in the rear for easy access.

Insulated lids with stainless steel exterior.

Limited Warranty: 1-year labor, 1-year parts, 5-year compressor (part only), 90-days replacement parts. Warranty is determined by the original equipment manufacturing date for general market. *



Technical Specifications

Dimensions

Model Number	Width in (mm)	Height in (mm)	Depth in (mm)	Gross Shipping Wgt lb (kg)	Unit Shipping Wgt lb (kg)	Shipping cu ft (cu m)
SKFI15-ELUS1	14.81 (376.17)	38.02 (965.66)	23.81 (604.79)	125 (56.70)	115 (52.16)	13.61 (.385)

Electrical

Model Number	Country of Origin	Amps	Voltage	Hz	Plug	Refrigerant
SKFI15-ELUS1	USA	2.1	115VAC	60	NEMA 5-15P	R290

Certifications



To learn more about our **15" Mobile Freezer**, visit silverking.com
 To contact us directly, go to silverking.com/contact