



## Features

**Exterior stainless steel** with galvanized back reduces risk of corrosion.

**Interior stainless steel** with coved corners and finished edges for easy cleaning.

**Environmentally friendly** polyurethane foamed-in-place insulation for maximum strength and durability.

**3 Wire power cord** is a standard 8 feet in length with NEMA 5-15P plug.

**Removable bin** bin includes a removable center divider.

**Field reversible door** for convenience.

**On/Off power switch** side mounted.

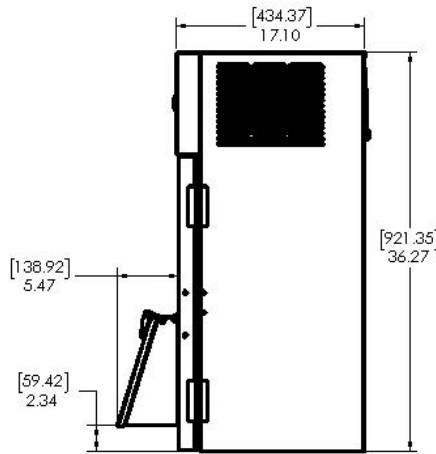
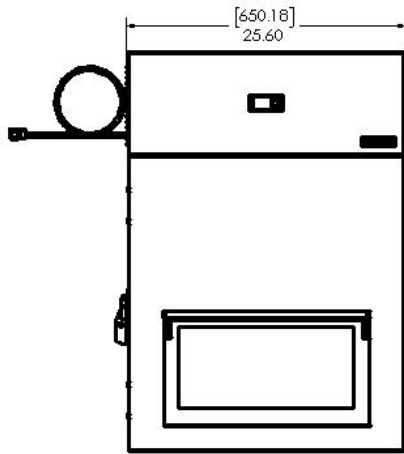
**Wall mounting capable** with bracket included.

**3 Wire power cord** is a standard 8 feet in length with NEMA 5-15P plug.

**CFC-free, R290 refrigerant** hermetically sealed, high efficiency, self contained refrigeration system with manual defrost.

**Adjustable temperature control** mounted in front for easy access.

**Limited Warranty:** 1-year labor, 1-year parts, 5-year compressor (part only), 90-days replacement parts. Warranty is determined by the original equipment manufacturing date for general market. \*



## Technical Specifications

### Dimensions

Model Number	Width in (mm)	Height in (mm)	Depth in (mm)	Gross Shipping Wgt lb (kg)	Unit Shipping Wgt lb (kg)	Shipping cu ft (cu m)
SKDL25-ESUS2 (large bin w/ divider)	25.60 (650.18)	36.27 (921.35)	22.57 (573.29)	145 (65.77)	130 (58.97)	25.83 (.73)

### Electrical

Model Number	Country of Origin	Amps	Voltage	Hz	Plug	Refrigerant
SKDL25-ESUS2	USA	3.0	115 VAC	60	NEMA 5-15P	R290

### Certifications



To learn more about our **25" Salad Dispenser**, visit [silverking.com](http://silverking.com)

To contact us directly, go to [silverking.com/contact](http://silverking.com/contact)