

SALAD DISPENSERS



Features

Exterior stainless steel with galvanized bottom reduces risk of corrosion.

Interior stainless steel with coved corners and finished edges for easy cleaning.

Environmentally friendly polyurethane foamed-in-place insulation for maximum strength and durability.

Supplied with four casters (two with locks) provide for ease of placement.

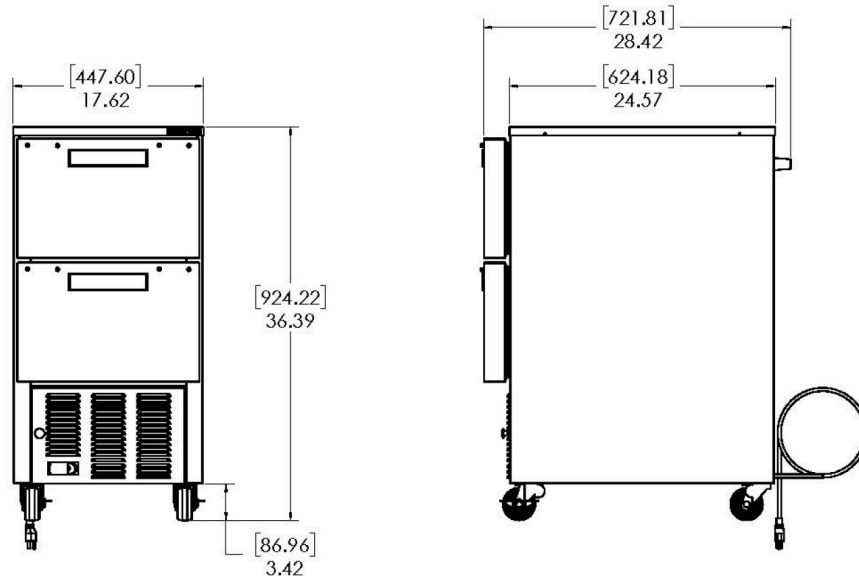
CFC-free, R134A refrigerant hermetically sealed, high efficiency, self contained refrigeration system with manual defrost.

Multiple pan configurations to meet your needs. (Pans purchased separately)

3 Wire power cord is a standard 8 feet in length with NEMA 5-15P plug.

Adjustable temperature control mounted in front for easy access.

Limited Warranty: 1-year labor, 1-year parts, 5-year compressor (part only), 90-days replacement parts. Warranty is determined by the original equipment manufacturing date for general market. *



Technical Specifications

Dimensions

Model Number	Width in (mm)	Height in (mm)	Depth in (mm)	Gross Shipping Wgt lb (kg)	Unit Shipping Wgt lb (kg)	Shipping cu ft (cu m)
SKDL18-RDUS4	17.62 (447.60)	36.39 (924.22)	28.42 (721.81)	175 (79.38)	165 (74.84)	18.91 (.535)

Electrical

Model Number	Country of Origin	Amps	Voltage	Hz	Plug	Refrigerant
SKDL18-RDUS4	USA	1.8	115 VAC	60	NEMA 5-15P	R134A

Certifications



To learn more about our **18" Mobile Refrigerator With Drawers**, visit silverking.com. To contact us directly, go to silverking.com/contact