



## Features

### **Eco-Friendly Refrigerant**

R290 refrigerant with a global warming potential (GWP) of 3

### **Crew-Proof Construction**

Stainless steel exterior, galvanized bottom to reduce the risk of corrosion, and heavy-duty soft casters

### **Insulated Lids**

Removable, side-to-side sliding lids for easy access

### **Cabinet Capacity**

Maximized interior storage area of 3.93 cubic feet

### **Protective Bumpers**

Protective bumpers to reduce equipment impact

### **Mobility**

2" heavy-duty soft casters plus a sleek design allow for easy movement around the kitchen

### **Easy to Clean**

Stainless steel interior with coved corners, finished edges, plus removable cover and top section

### **High-Density Insulation**

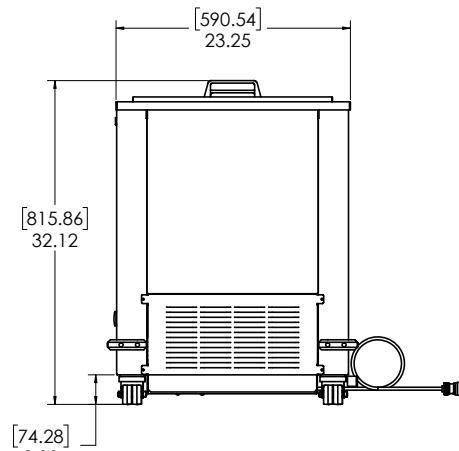
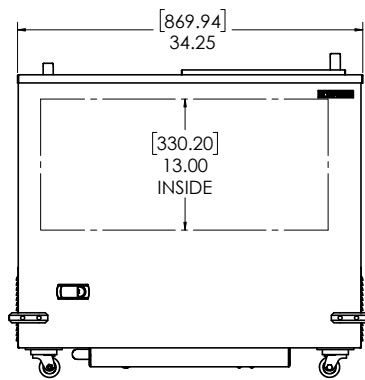
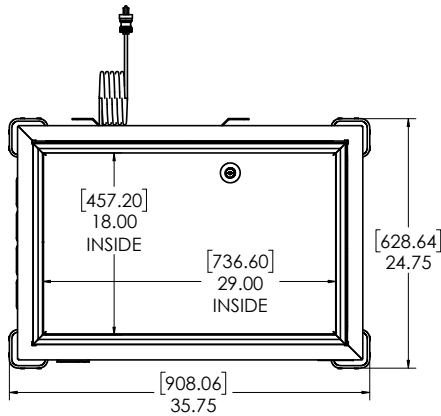
Foamed-in-place, CFC-free polyurethane insulation for maximum strength, rigidity, and insulation

### **Cold Wall Refrigeration System**

Optimized temperature control thanks to the cold wall refrigeration and top access

### **Digital Temperature Control**

Externally mounted temperature controls for ease of use



## Technical Specifications

<b>Electrical Requirements</b>	115v/60hz/1ph/1.1A/NEMA 5-15P Plug
<b>Product Dimensions</b>	35.75"W x 32.12"H x 24.75"D (90.81cm x 81.58cm x 62.87cm)
<b>Product Weight</b>	170lbs (77.11kg)
<b>Shipping Dimensions</b>	29"W x 41"H x 39"D (73.66cm x 104.14cm x 99.06cm)
<b>Shipping Weight</b>	185lbs (83.91kg)
<b>Shipping Cubic Dimensions</b>	26.84ft <sup>3</sup> (0.76m <sup>3</sup> )
<b>Temperature Range</b>	-5 to 5°F (-20.6 to -15°C)
<b>Refrigerant</b>	R290
<b>Insulation</b>	Foamed-in-place, CFC-free polyurethane

<b>Exterior Construction</b>	Stainless steel exterior with galvanized bottom
<b>Interior Construction</b>	Stainless steel interior with coved corners and finished edges
<b>Lids</b>	Side-to-side sliding, insulated, removable
<b>Internal Capacity</b>	3.93ft <sup>3</sup>
<b>Casters</b>	Four (4) 2" heavy-duty soft casters
<b>Certifications</b>	ETL SAFETY, ETL SANITATION
<b>Warranty</b>	1-year parts and labor, 5-year compressor (part only)

Model Number	Description
SKFMW34-ELUS3	Meatwell freezer 34", 115v/60hz/1ph, insulated side-to-side sliding lids, bumpers, 2" heavy-duty soft casters, NEMA 5-15P

To learn more about **Meatwell Freezer**, visit [silverking.com](http://silverking.com)