



## Features

### **Eco-Friendly Refrigerant**

R290 refrigerant with a global warming potential (GWP) of 3

### **High-Strength Door**

Heavy-duty, stainless steel door assembled using high-load brackets for long lasting durability

### **Long-Lasting, Removable Gaskets**

Santoprene™ gaskets last four times longer than standard gaskets

### **Easy to Clean**

Aluminum interior, coved corners, finished edges, and removable shelves

### **Heavy-Duty Soft Casters**

Secured to a 12 gauge steel base to ensure years of worry-free operations

### **High-Efficiency Refrigeration System**

Forced air circulation provides uniform temperature throughout the cabinet

### **Cabinet Capacity**

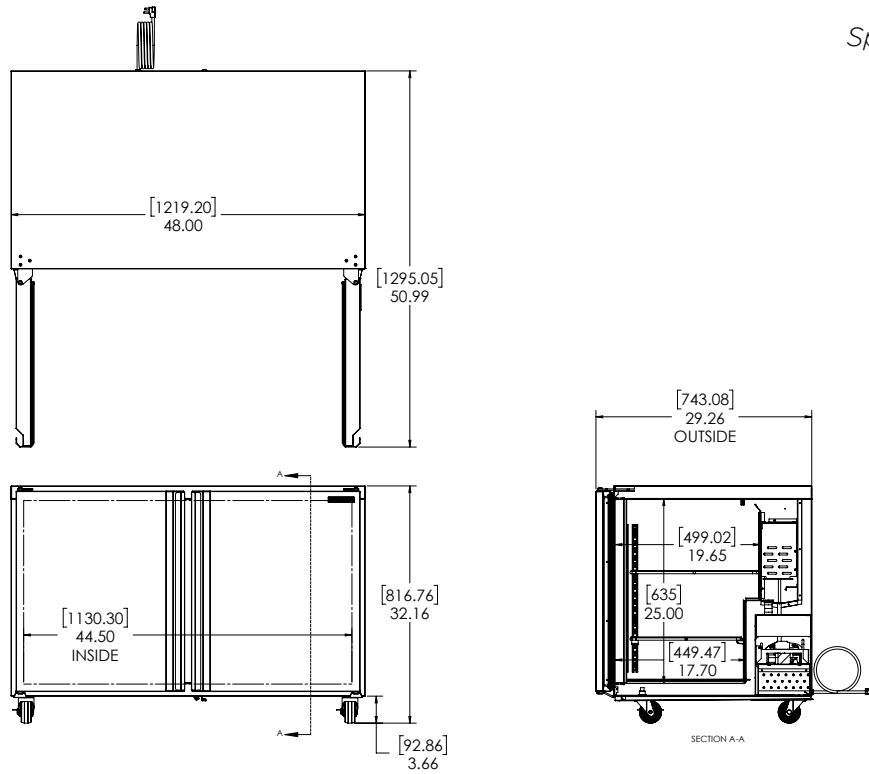
Internal area of 11.56ft<sup>3</sup> with four (4) heavy-gauge wire shelves — adjustable in 1/2" increments using stainless steel pilasters

### **Stainless Steel Exterior**

Galvanized back and bottom to reduce the risk of corrosion

### **High-Density Insulation**

Foamed-in-place, CFC-free polyurethane insulation for maximum strength, rigidity, and insulation



## Technical Specifications

<b>Electrical Requirements</b>	115v/60hz/1ph/3.7A/NEMA 5-15P Plug
<b>Product Dimensions</b>	48"W x 32.16"H x 30.18"D (121.92cm x 81.69cm x 76.66cm)
<b>Product Weight</b>	250lbs (113.40kg)
<b>Shipping Dimensions</b>	53"W x 42"H x 35"D (134.62cm x 106.68cm x 88.90cm)
<b>Shipping Weight</b>	265lbs (120.20kg)
<b>Shipping Cubic Dimensions</b>	45.09ft <sup>3</sup> (1.28m <sup>3</sup> )
<b>Temperature Range</b>	36 to 38 (2.22 to 3.33°C)
<b>Refrigerant</b>	R290
<b>Charge Level</b>	3.2oz (90.7 grams)

<b>Insulation</b>	Foamed-in-place, CFC-free polyurethane
<b>Exterior Construction</b>	Stainless steel exterior with galvanized back and bottom
<b>Interior Construction</b>	Aluminum interior with coved corners and finished edges
<b>Doors</b>	Two doors, one (1) left-hand and one (1) right-hand swing
<b>Shelves</b>	Four (4) heavy-gauge wire shelves
<b>Interior Capacity</b>	11.56ft <sup>3</sup>
<b>Door Gasket</b>	Santoprene™ gasket
<b>Casters</b>	Four (4) 3" heavy-duty casters (two locking)
<b>Certifications</b>	ETL Safety, ETL Sanitation
<b>Warranty</b>	1-year parts and labor, 5-year compressor (part only)

Model Number	Description
SKR48A-EGUS1	Undercounter Refrigerator 48", 115v/60hz/1ph, dual swing doors, 3" heavy-duty soft casters (two locking), NEMA 5-15P

To learn more about **Undercounter Refrigerator**, visit [silverking.com](http://silverking.com)