



Features

Eco-Friendly Refrigerant

R290 refrigerant with a global warming potential (GWP) of 3

Elevated Countertop Compartments

Elevated rail holds up to twelve (12) 1/3 size pans and positions key ingredients closer to the crew — pan adapters included

High-Efficiency Refrigeration System

Forced air circulation provides uniform temperature throughout the cabinet

Easy to Clean

Aluminum interior, coved corners, finished edges, removable cutting board, and top compartment crumb tray for simple cleaning

High-Density Insulation

Foamed-in-place, CFC-free polyurethane insulation for maximum strength, rigidity, and insulation

Large 19" Cutting Board

Removable 19" polyethylene cutting board provides a durable work surface

Drawer Capacity

Each drawer includes one (1) divider bar to accommodate two (2) full-size 12" W x 20" H x 6" D hotel pans — additional adapters are available for fractional pans

Stainless Steel Exterior

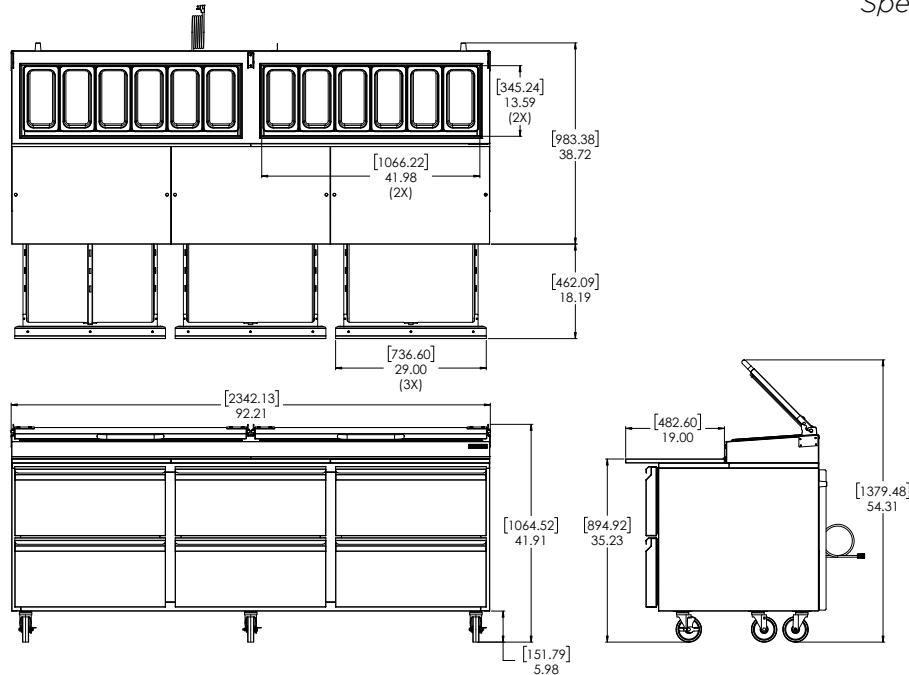
Galvanized back and bottom to reduce the risk of corrosion

Magnetic 'Thermo Rubber' Gaskets

Heavy-duty, stainless steel doors with magnetic 'Thermo Rubber' gaskets ensure an air-tight cabinet

Heavy-Duty Soft Casters

Secured to a 12 gauge steel base to ensure years of worry-free operation



Technical Specifications

Electrical Requirements	115v/60hz/1ph/5.3A/NEMA 5-15P Plug
Product Dimensions	92.21"W x 41.91"H x 38.72"D (234.21cm x 106.45cm x 98.35cm)
Product Weight	635lbs (288.03kg)
Shipping Dimensions	96"W x 48"H x 38"D (243.84cm x 121.92cm x 96.52cm)
Shipping Weight	675lbs (306.17kg)
Shipping Cubic Dimensions	101.33ft ³ (2.87Cu.M ³)
Temperature Range	36 to 40°F (2.2 to 4.4°C)
Refrigerant	R290
Charge Level	5.29oz (150 grams)
Insulation	Foamed-in-place, CFC-free polyurethane

Exterior Construction	Stainless steel exterior with galvanized bottom
Interior Construction	Aluminum interior with coved corners and finished edges
Drawers	Six (6) high-strength, full-extension drawers with dividers
Lid	Two (2) hinged stainless steel, insulated (removable)
Pan Well Capacity	Supplied with twelve (12) 1/3 size pans (6" deep)
Internal Capacity	Accommodates twelve (12) full-size 12" W x 20" H x 6" D hotel pans
Drawer Gasket	Santoprene™ gasket
Cutting Board	Three (3) 19" deep polyurethane cutting boards (removable)
Casters	Six (6) 5" heavy-duty soft casters (three locking)
Certifications	ETL SAFETY, ETL SANITATION
Warranty	1-year parts and labor, 5-year compressor (part only)

Model Number	Description
SKPZ92-EDUS1	Prep Table, 92", 115v/60hz/1ph, 6 drawer, 5" heavy-duty casters (three locking), 19"D cutting board, NEMA 5-15P

Accessories	Description
25567	Adapter Bars for Fractional Pans
43581	Pan 1/6 Size, 4" Deep Plastic
43643	Pan 1/6 Size, 6" Deep Plastic
27066	Pan 1/3 Size, 4" Deep Plastic
26415	Pan 1/3 Size, 6" Deep Plastic

To learn more about **Pizza Prep Table**, visit silverking.com