



Features

Eco-Friendly Refrigerant

R290 refrigerant with a global warming potential (GWP) of 3

Crew-Proof Construction

Stainless steel exterior, galvanized bottom to reduce the risk of corrosion, and heavy-duty soft casters

Self-Closing Lid

Removable, self-closing front lid with rear cover for fast and easy access

Cabinet Capacity

Maximized interior storage area of 2.45 cubic feet

Mobility

3" heavy-duty soft casters plus a sleek design allow for easy movement around the kitchen

Easy to Clean

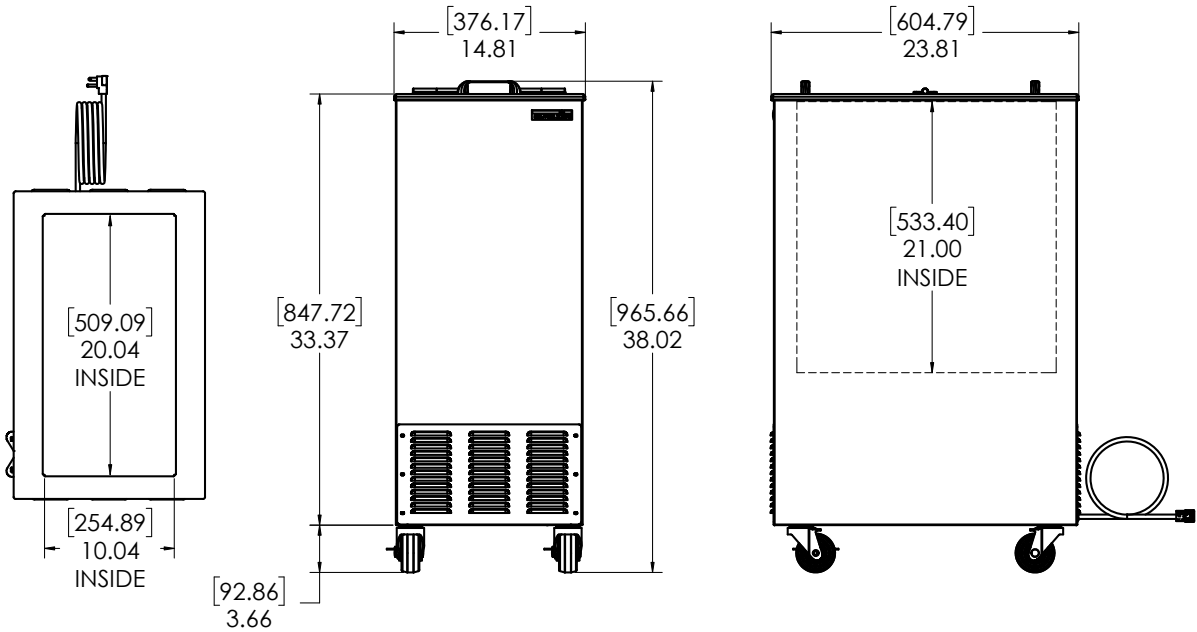
Stainless steel interior with coved corners, finished edges, plus removable front lid and rear cover

High-Density Insulation

Foamed-in-place, CFC-free polyurethane insulation for maximum strength, rigidity, and insulation

Cold Wall Refrigeration System

Optimized temperature control thanks to the cold wall refrigeration and top access



Technical Specifications

Electrical Requirements	115v/60hz/1ph/2.1A/NEMA 5-15P Plug
Product Dimensions	14.81"W x 38.02"H x 23.81"D (37.62cm x 96.57cm x 60.48cm)
Product Weight	110lbs (49.90kg)
Shipping Dimensions	28"W x 42"H x 20"D (71.12cm x 106.68cm x 50.80cm)
Shipping Weight	125lbs (56.70kg)
Shipping Cubic Dimensions	13.61ft ³ (0.39m ³)
Temperature Range	-5 to 5°F (-20.6 to -15°C)
Refrigerant	R290
Charge Level	1.5oz (42.5 grams)

Insulation	Foamed-in-place, CFC-free polyurethane
Exterior Construction	Stainless steel exterior with galvanized bottom
Interior Construction	Stainless steel interior with covered corners and finished edges
Lids	Self-closing front lid, rear cover, stainless steel, removable
Internal Capacity	2.45ft ³
Casters	Four (4) 3" heavy-duty soft casters (two locking)
Certifications	ETL SAFETY, ETL SANITATION
Warranty	1-year parts and labor, 5-year compressor (part only)

Model Number	Description
SKFI15-ELUS2	Mobile freezer 15", 115v/60hz/1ph, self-closing front lid with rear cover, 3" heavy-duty soft casters (two locking), NEMA 5-15P

To learn more about **Mobile Freezer**, visit silverking.com