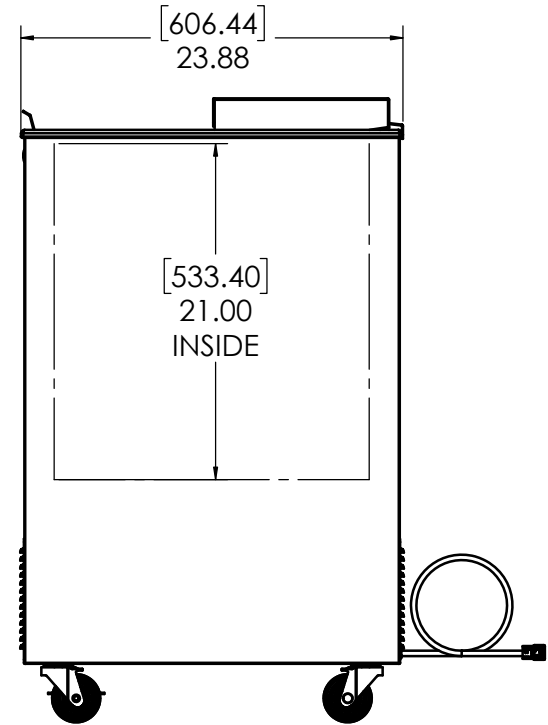
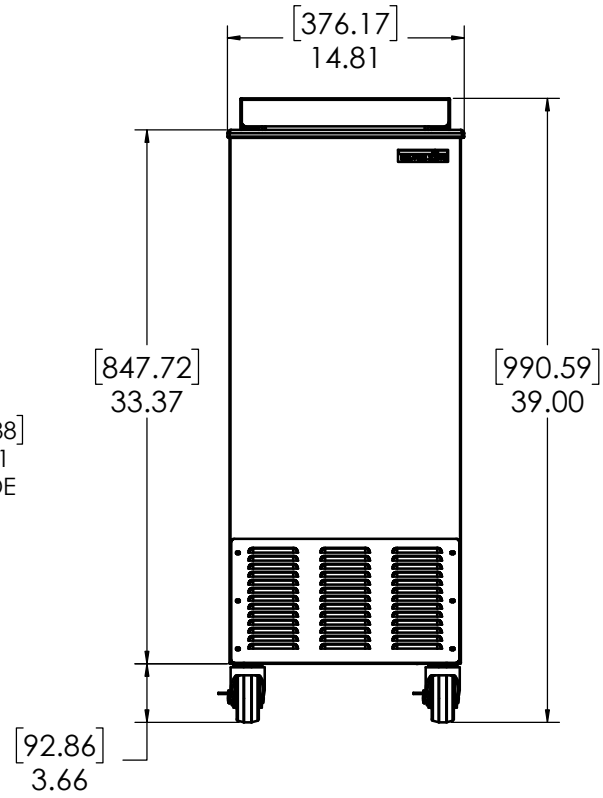
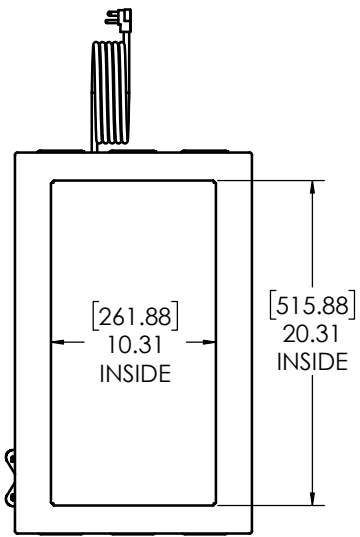


06/10/22



PROPRIETARY AND CONFIDENTIAL  
 THE INFORMATION CONTAINED IN THIS  
 DRAWING IS THE SOLE PROPERTY OF  
 SILVER KING, INC. ANY REPRODUCTION IN  
 PART OR AS A WHOLE WITHOUT THE WRITTEN  
 PERMISSION OF SILVER KING, INC. IS  
 PROHIBITED.

<b>SILVER KING, INC</b> PLYMOUTH, MN	
SIZE	DWG NO:
C	<b>45437-SK</b>
DESCRIPTION:	SHEET 2 OF 2
DRWG OUTLINE DIMS SKF115	