



Features

Eco-Friendly Refrigerant

R290 refrigerant with a global warming potential (GWP) of 3

Crew-Proof Construction

Stainless steel exterior, galvanized bottom to reduce the risk of corrosion, and heavy-duty soft casters

Insulated Lids

Removable front to back sliding lids for easy access

Cabinet Capacity

Maximized interior storage area of 3.93 cubic feet

Digital Temperature Control

Externally mounted temperature controls for ease of use

Mobility

2" heavy-duty soft casters plus a sleek design allow for easy movement around the kitchen

Easy to Clean

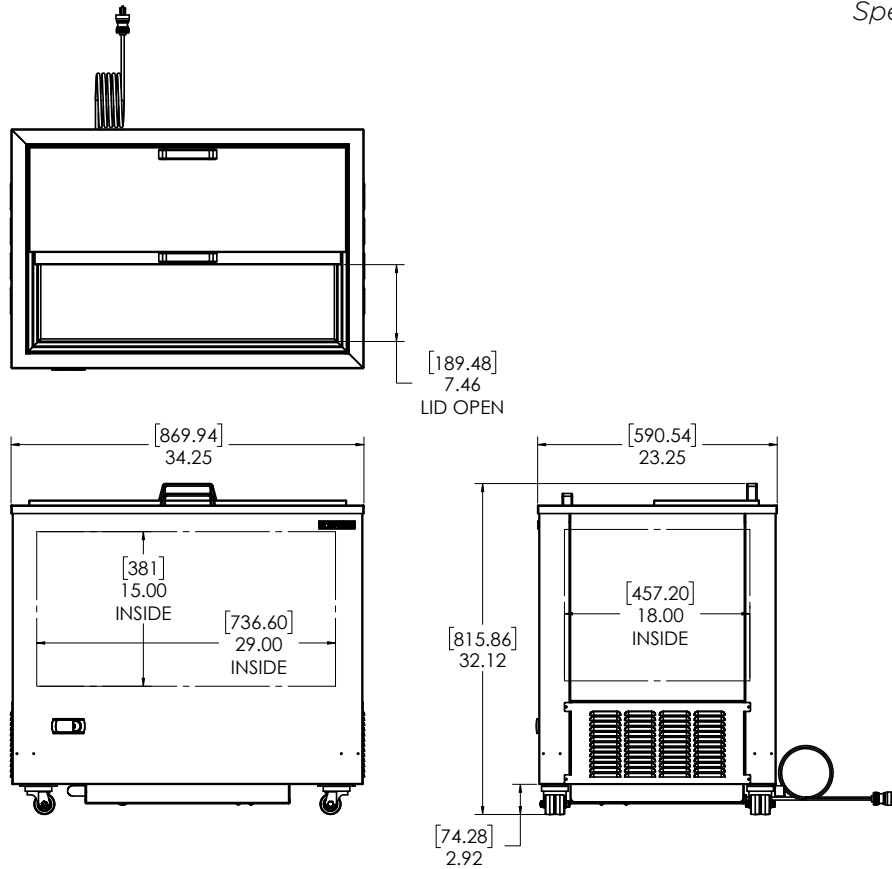
Stainless steel interior with coved corners, finished edges, plus removable cover and top section

High-Density Insulation

Foamed-in-place, CFC-free polyurethane insulation for maximum strength, rigidity, and insulation

Cold Wall Refrigeration System

Optimized temperature control thanks to the cold wall refrigeration and top access



Technical Specifications

Electrical Requirements	115v/60hz/1ph/1.1A/NEMA 5-15P Plug
Product Dimensions	34.25"W x 32.12"H x 24.75"D (87cm x 81.58cm x 62.87cm)
Product Weight	175lbs (79.38kg)
Shipping Dimensions	29"W x 41"H x 39"D (73.66cm x 104.14cm x 99.06cm)
Shipping Weight	190lbs (86.18kg)
Shipping Cubic Dimensions	26.84ft ³ (0.76m ³)
Temperature Range	-5 to 5°F (-20.6 to -15°C)
Refrigerant	R290
Charge Level	2.8oz (79.4 grams)

Insulation	Foamed-in-place, CFC-free polyurethane
Exterior Construction	Stainless steel exterior with galvanized bottom
Interior Construction	Stainless steel interior with coved corners and finished edges
Lids	Front to back sliding, insulated, removable
Internal Capacity	3.93ft ³
Non-locking Casters	Four (4) 2" heavy-duty soft casters
Certifications	ETL SAFETY, ETL SANITATION
Warranty	1-year parts and labor, 5-year compressor (part only)

Model Number	Description
SKFMW34-ELUS5	Meatwell freezer 34", 115v/60hz/1ph, insulated front to back sliding lids, 2" heavy-duty soft casters, NEMA 5-15P

To learn more about **Meatwell Freezer**, visit silverking.com