



Features

Eco-Friendly Refrigerant

R290 refrigerant with a global warming potential (GWP) of 3

High-Strength, Full-Extension Drawers

Premium slide and framework construction promotes lateral stability while offering high dynamic load capacities and a stay-shut feature

Stainless Steel Exterior

Galvanized back and bottom to reduce the risk of corrosion

Long-Lasting, Removable Gaskets

Santorprene™ gaskets last four times longer than standard gaskets

Heavy-Duty Soft Casters

Secured to a 12 gauge steel base to ensure years of worry-free operation

High-Efficiency Refrigeration System

Forced air circulation provides uniform temperature throughout the cabinet

Drawer Capacity

Each drawer includes one (1) divider bar to accommodate two (2) full-size 12"W x 20"H x 6"D hotel pans — additional adapters are available for fractional pans

Easy to Clean

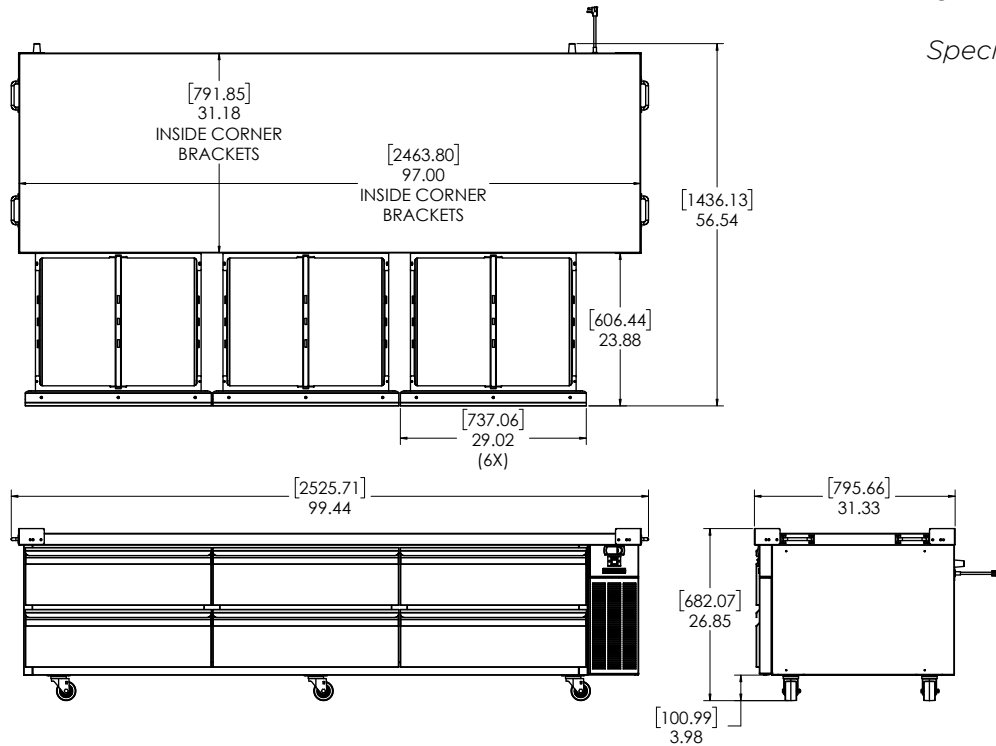
Aluminum interior, coved corners, finished edges, plus full-extension and easy lift out drawers

High-Density Insulation

Foamed-in-place, CFC-free polyurethane insulation for maximum strength, rigidity, and insulation

Flat Top with Corner Brackets

Corner brackets assist in preventing movement of cooking equipment — includes top handles for mobility



Technical Specifications

Electrical Requirements	230v/50-60hz/1ph/NEMA 5-15P Plug
Product Dimensions	99.44"W x 26.85"H x 32.75"D (252.58cm x 68.20cm x 83.19cm)
Product Weight	650lbs (294.58kg)
Shipping Dimensions	102"W x 30"H x 36"D (259.08cm x 76.20cm x 91.44cm)
Shipping Weight	715lbs (324.32kg)
Shipping Cubic Dimensions	63.75ft ³ (1.81m ³)
Temperature Range	36 to 40°F (2.2 to 4.4°C)
Refrigerant	R290
Charge Level	3.35oz (95 grams)
Insulation	CFC-free polyurethane foam-in-place insulation

Exterior Construction	Stainless steel exterior with galvanized back and bottom
Interior Construction	Aluminum interior with covered corners and finished edges
Drawers	Six (6) high-strength, full-extension drawers with dividers
Capacity	Twelve (12) full-size 12"W x 20"H x 6"D hotel pans
Door/Drawer Gasket	Santoprene™ gasket
Casters	Six (6) 4" heavy-duty soft casters (non-locking)
Certifications	CE
Warranty	1-year parts and labor, 5-year compressor (part only)

Model Number	Description
SKRCB97H-EDUK1	Chef Base Refrigerator 97", 230V/50-60hz/1ph, flat top with corner brackets and top handles, 6 drawer, 4" heavy-duty soft casters, C13/G-PLUG

Accessories	Description
25567	Adapter Bars for Fractional Pans
43581	Pan 1/6 Size, 4" Deep Plastic
43643	Pan 1/6 Size, 6" Deep Plastic
27066	Pan 1/3 Size, 4" Deep Plastic
26415	Pan 1/3 Size, 6" Deep Plastic

To learn more about **Chef Base Refrigerator**, visit silverking.com