



SKEDI23-TL-1BA1 Counter Top Drop In Freezer

MODEL SKEDI23-TL-1BA1

(replaces model #SKCTMDI/C1)



| MODEL | LENGTH | DEPTH | HEIGHT | COMPRESSOR | AMPS | WEIGHT |
|----------------------|---|-------|--------|------------|------|----------|
| SKEDI23-TL-1-BA1 | 23" | 26" | 24" | 1/5 hp | 2.7 | 105 lbs. |
| EXTERIOR | Heavy gage galvanized steel and base assembly. Stainless steel top. | | | | | |
| INTERIOR | Heavy duty stainless steel with coved corners throughout for fast, easy cleaning. Stainless refrigerated divider with removable frost shield for quick cleanup. | | | | | |
| COVER | Insulated plexiglass lid, readily removable for product loading, cleaning and defrosting. | | | | | |
| INSULATION | Environmentally friendly. Foamed-in-place polyurethane for maximum insulation, strength and durability. | | | | | |
| REFRIGERATION | CFC-free, hermetically sealed, high efficiency, self contained system with fan cooled condenser. Cold wall evaporator provides optimum product temperature. Adjustable temperature control. Manual defrost. | | | | | |
| ELECTRICAL | Standard 115 volt, 60 Hz, single phase operation with 8 foot 3-wire power cord with NEMA 5-15 plug. | | | | | |
| LISTINGS | ETL Safety (U.S. and Canada), ETL Sanitation. | | | | | |
| WARRANTY | 1 year parts and labor, five year warranty on compressor. | | | | | |
| OPTIONS | 10315-08 Cover lock. | | | | | |



1600 Xenium Lane North
 Minneapolis, MN 55441-3787
 Phone (763) 923-2441
 Fax (763) 553-1209
www.silverking.com



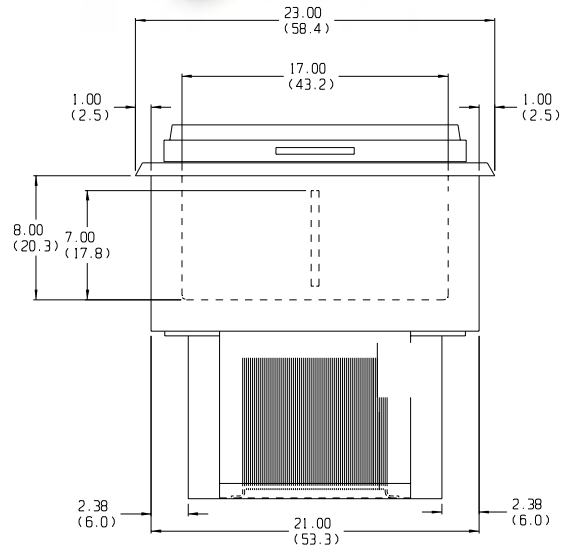
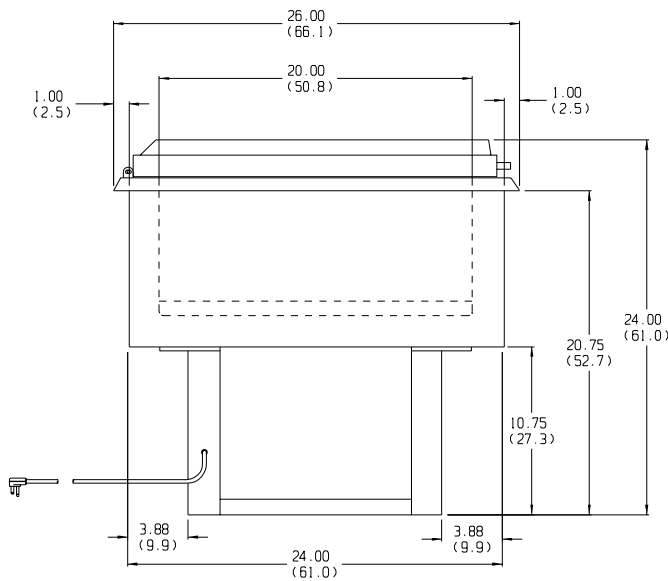
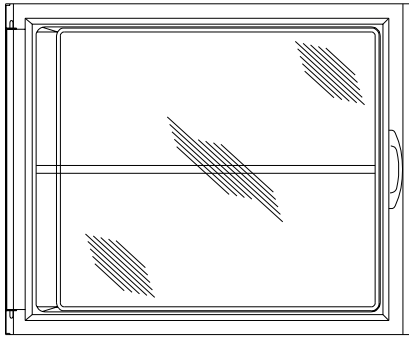
Specifications subject to change without notice.

8 /2012
 © Silver King 2012
 Printed in U.S.A.



SKEDI23-TL-1-BA1 Counter Top Drop In Freezer

MODEL SKEDI23-TL-1-BA1
(replaces SKCTMDI/C1)



NOTES:
1) DIMENSIONS ARE IN INCHES (CENTIMETERS)



1600 Xenium Lane North
Minneapolis, MN 55441-3787
Phone (763) 923-2441
Fax (763) 553-1209
www.silverking.com



Specifications subject to change without notice.

8/2012
© Silver King 2012
Printed in U.S.A.