



## 27" Refrigerator

MODEL SKR27A/C2

MODEL SKR27AD/C2



MODEL	LENGTH	DEPTH	HEIGHT	CAPACITY	COMPRESSOR	AMPS	WEIGHT
SKR27A/C2	27"	29-1/2"	32-1/8"	6 1/2 cu. ft.	1/4 hp	2.7	165 lbs.
SKR27AD/C2	27"	29-3/8"	32-1/8"	2 Full size pans-6" deep	1/4 hp	2.7	210 lbs.

<b>EXTERIOR</b>	Stainless steel. Galvanized back and bottom.
<b>INTERIOR</b>	Aluminum, Coved corners and finished edges for ease of cleaning.
<b>INSULATION</b>	Environmentally friendly polyurethane foamed-in-place for maximum insulation, strength and durability.
<b>CASTERS</b>	Supplied with four casters (two with locks).
<b>REFRIGERATION</b>	CFC-free, 134A refrigerant, hermetically sealed, high efficiency, self contained refrigeration system automatic defrost and forced air circulation. Adjustable temperature control mounted in front for easy access. Automatic condensate evaporator means no plumbing or floor drains.
<b>DOOR GASKETS</b>	Santo Prene material lasts four times industry standard.
<b>ELECTRICAL</b>	Standard 115 volt, 60 Hz, single phase. 8 foot 3-wire power cord with NEMA 5-15 plug.
<b>LISTINGS</b>	ETL Safety (U.S. and Canada), ETL Sanitation.
<b>WARRANTY</b>	1 year parts and labor, five year warranty on compressor.



1600 Xenium Lane North  
 Minneapolis, MN 55441-3787  
 Phone (763) 923-2441  
 Fax (763) 553-1209  
[www.silverking.com](http://www.silverking.com)



Specifications subject to change without notice.

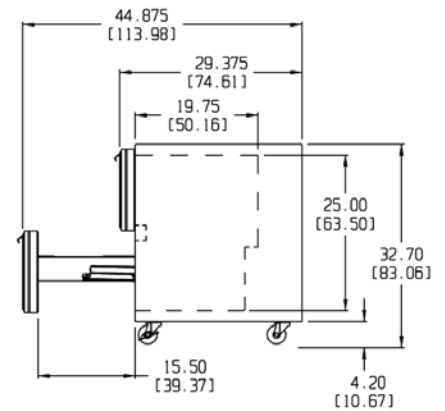
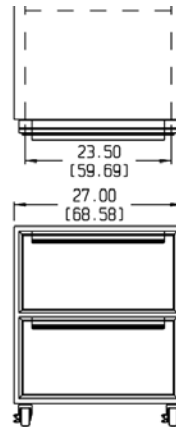
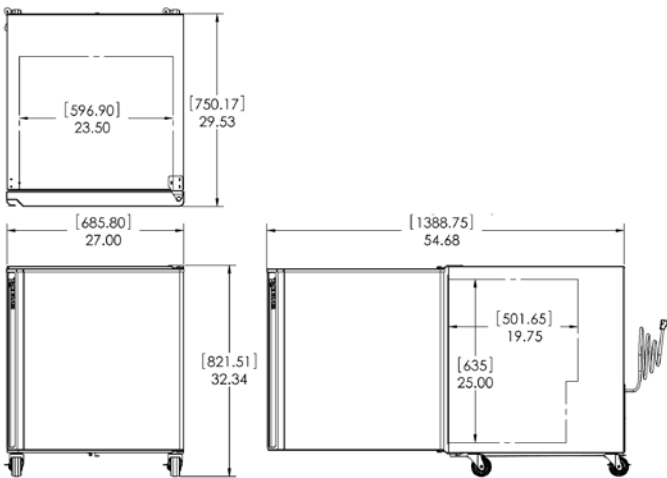
6/2012  
 © Silver King 2012  
 Printed in U.S.A.



# 27" Refrigerator

MODEL SKR27A/C2

MODEL SKR27AD/C2



1600 Xenium Lane North  
 Minneapolis, MN 55441-3787  
 Phone (763) 923-2441  
 Fax (763) 553-1209  
[www.silverking.com](http://www.silverking.com)



Specifications subject to change without notice.

6/2012  
 © Silver King 2012  
 Printed in U.S.A.