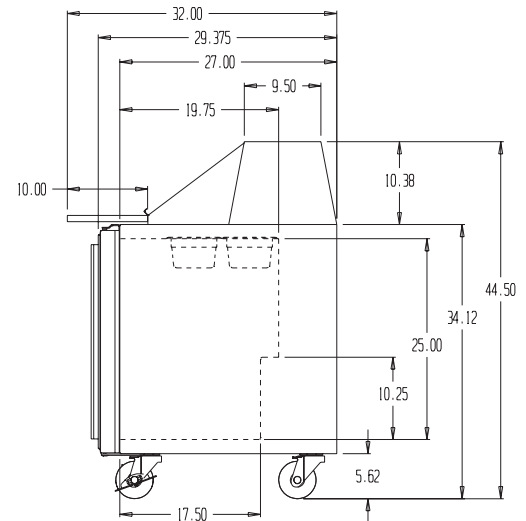
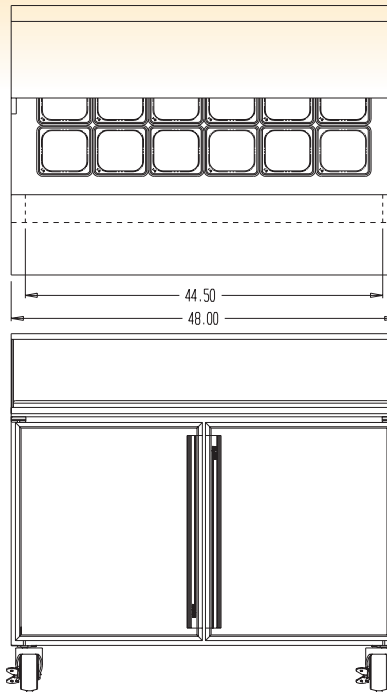




# Front Breathing Prep Tables

MODEL SKP4812



MODEL	LENGTH	DEPTH	HEIGHT	STORAGE CAPACITY	SHELVES	SHELF AREA	COMPRESSOR	AMPS	WEIGHT
SK4812	48"	29 3/8"	44 1/2"	12.2 cu. ft.	4	14.5 sq. ft.	1/4TH HP	4.3	300 lbs.

- EXTERIOR** Stainless steel, galvanized back.
- INTERIOR** Aluminum. Coved corners and finished edges for easy cleaning.
- INSULATION** Environmentally friendly foamed-in-place polyurethane for maximum strength and durability.
- DOORS** Polyurethane insulation, heavy duty extruded aluminum frame, stainless steel exterior door panel, and extra heavy duty magnetic "Thermo Rubber" door gasket combine to make the toughest, longest lasting door in the industry.
- SHELVES** Heavy gauge wire shelves are hand dipped, not sprayed, providing double thick epoxy coating for superior durability and smooth finish. Adjustable in 1/2" increments on stainless steel pilasters.
- REFRIGERATION** CFC-Free, hermetically sealed, self contained refrigeration system with fan cooled condenser. Cold wall copper tube evaporator for even distribution of cooling and moisture retention. Adjustable temperature control and built-in temperature indicator.
- ELECTRICAL** Standard as 115 volt, 60 Hz, single phase operation with 8 foot, 3 wire power cord with NEMA 5-15P plug. Also available in 230 volt, 50 hz, single phase.
- LISTINGS** ETL (U.S. and Canada), ETL SAN.
- WARRANTY** One year warranty on cabinet and refrigeration system. Five year warranty on compressor.



1600 Xenium Lane North  
 Minneapolis, MN 55441-3787  
 Phone (763) 923-2441  
 Fax (763) 553-1209  
[www.silverking.com](http://www.silverking.com)



Specifications subject to change without notice.

11/2012  
 © Silver King 2012  
 Printed in U.S.A.