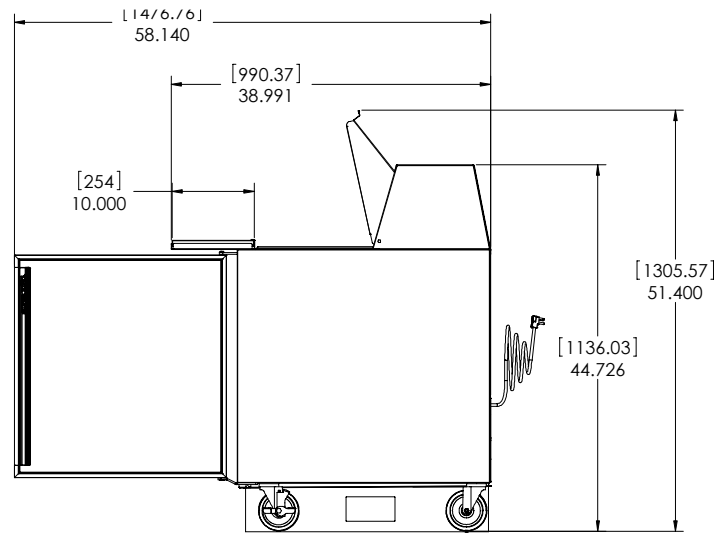
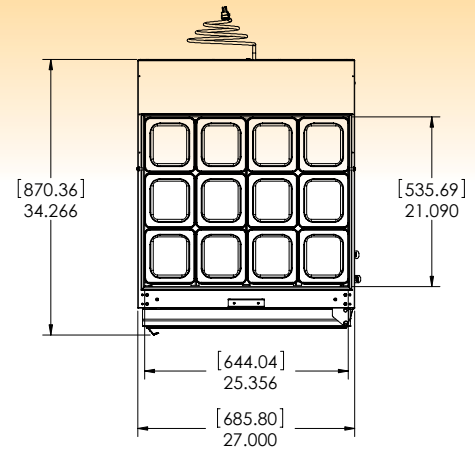
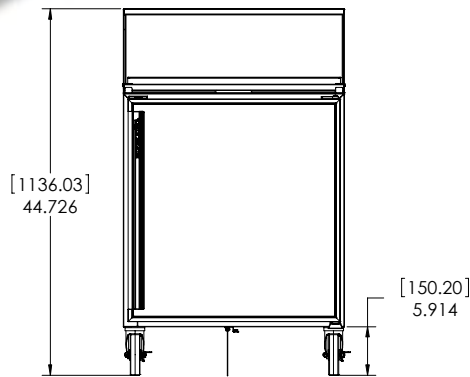




Refrigerated Prep Table

MODEL SKP2712



MODEL	LENGTH	DEPTH	HEIGHT	COMPRESSOR	AMPS	WEIGHT
SKP2712	27"	34.27"	44.73"	1/4 HP	4.9	150 lbs.

- EXTERIOR** Stainless steel.
- INTERIOR** Aluminum. Coved corners and finished edges for ease of cleaning.
- INSULATION** Environmentally friendly foamed-in-place polyurethane for maximum strength and durability.
- REFRIGERATION** CFC-free, 134a refrigerant, hermetically sealed, high efficiency, self contained refrigeration system.
- LISTINGS** ETL Safety (U.S. and Canada), ETL Sanitation.



1600 Xenium Lane North
 Minneapolis, MN 55441-3787
 Phone (763) 923-2441
 Fax (763) 553-1209
www.silverking.com



Specifications subject to change without notice.

4/2013
 © Silver King 2013
 Printed in U.S.A.