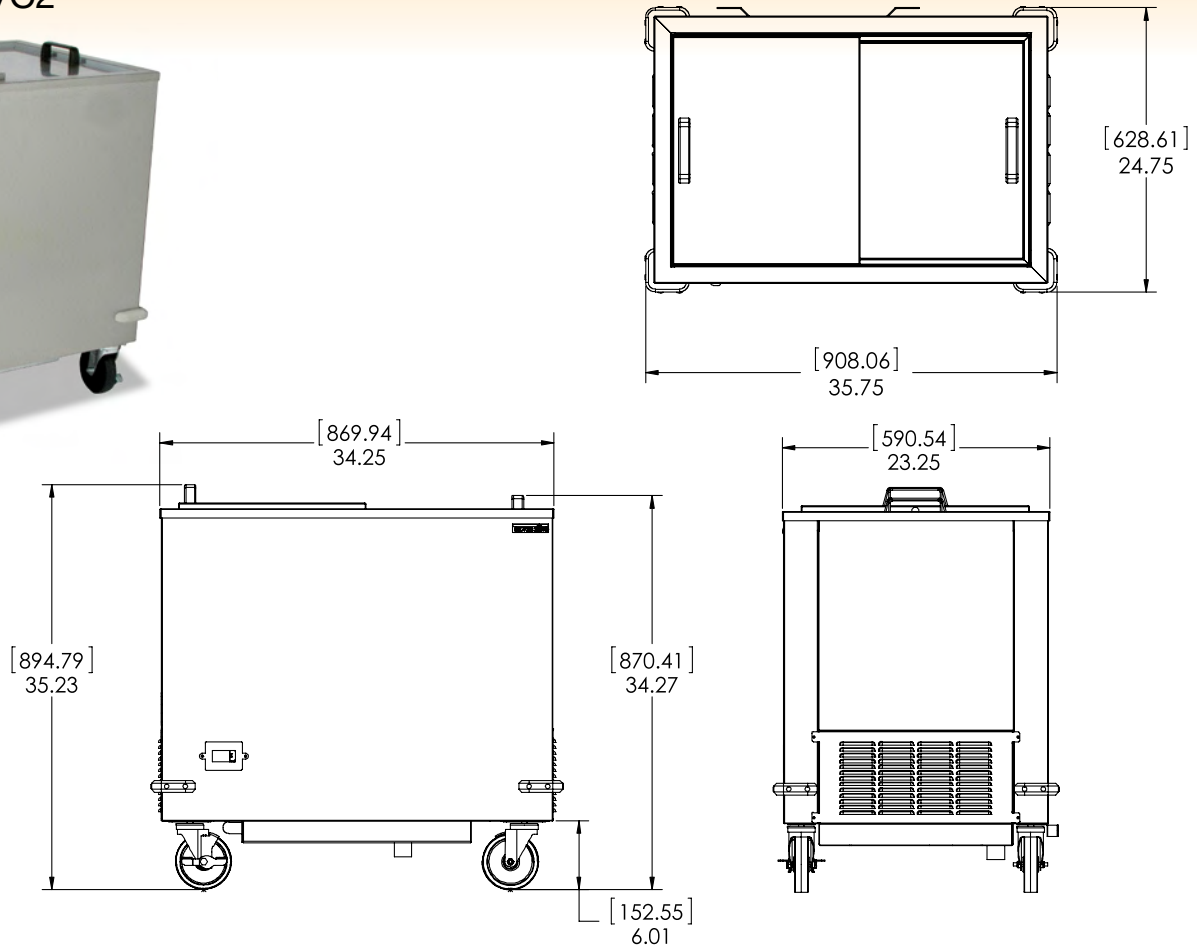




# Mobile Freezer

MODEL SKMWF34/C2



MODEL	LENGTH	DEPTH	HEIGHT	COMPRESSOR	AMPS	WEIGHT
SKMWF34/C2	35.75"	24.75"	35.23"	1/2 HP	5.3	190 lbs.

- EXTERIOR** Stainless steel.
- INTERIOR** Stainless steel. Coved corners and finished edges for ease of cleaning.
- INSULATION** Environmentally friendly foamed-in-place polyurethane for maximum strength and durability.
- REFRIGERATION** CFC-free, R404a refrigerant, hermetically sealed, high efficiency, self contained refrigeration system.
- LISTINGS** ETL Safety (U.S. and Canada), ETL Sanitation.
- WARRANTY** One year parts and labor. Five year warranty on compressor.



1600 Xenium Lane North  
 Minneapolis, MN 55441-3787  
 Phone (763) 923-2441  
 Fax (763) 553-1209  
 www.silverking.com



Specifications subject to change without notice.

7/2013  
 © Silver King 2013  
 Printed in U.S.A.