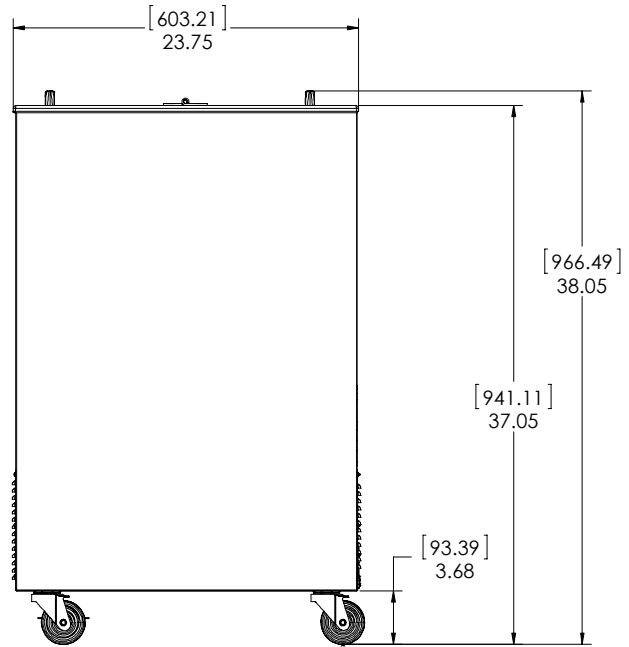
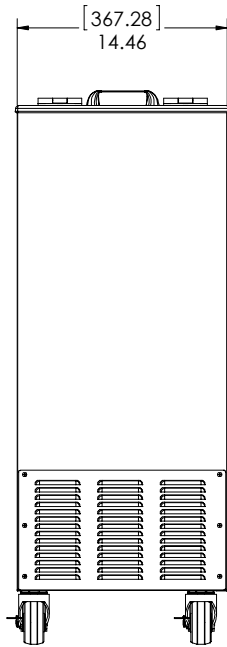
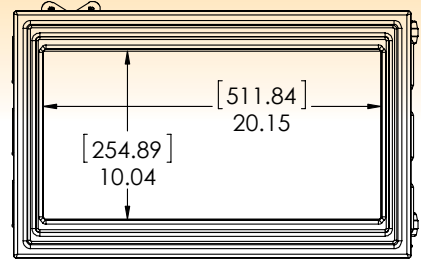
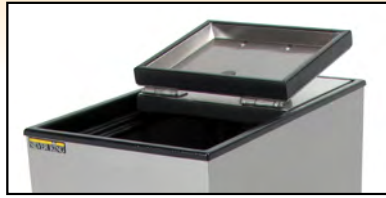




Freezer

MODEL SKFS2/C1



MODEL	LENGTH	DEPTH	HEIGHT	COMPRESSOR	AMPS	WEIGHT
SKFS2/C1	14.46"	23.75"	38.05"	1/8 HP	1.6	150 lbs.

- EXTERIOR** Stainless steel.
- INTERIOR** Stainless Steel. Coved corners and finished edges for ease of cleaning.
- INSULATION** Environmentally friendly foamed-in-place polyurethane for maximum strength and durability.
- REFRIGERATION** CFC-free, R404a refrigerant, hermetically sealed, high efficiency, self contained refrigeration system.
- LISTINGS** ETL Safety (U.S. and Canada), ETL Sanitation.



1600 Xenium Lane North
 Minneapolis, MN 55441-3787
 Phone (763) 923-2441
 Fax (763) 553-1209
www.silverking.com



Specifications subject to change without notice.

2/2013
 © Silver King 2013
 Printed in U.S.A.