



# SKFS Free Standing Freezer

MODEL SKFS



MODELS	HEIGHT	WIDTH	DEPTH	STORAGE CAPACITY	AMPS	COMPRESSOR	SHIPPING WEIGHT
MODEL SKFS	37. 5/8"	16 1/4"	18"	1 cu. ft.	1.8	1/8 hp	90 lbs

<b>EXTERIOR</b>	Stainless Steel outershell. Adjustable 6-inch bullet type legs
<b>INTERIOR</b>	Stainless steel with coved corners for fast, easy cleaning. Anti-condensation heater around top opening to prevent moisture formation.
<b>INSULATION</b>	Environmentally friendly foamed-in-place polyurethane insulation for maximum strength and durability.
<b>REFRIGERATION</b>	CFC-Free, hermetically sealed, self contained system with fan cooled condenser. Cold wall evaporator provides optimum ice cream dipping temperature. Adjustable temperature control.
<b>ELECTRICAL</b>	Standard as 115 volt, 60Hz, single phase operation. 7 foot, 3-wire power cord with NEMA 5-15P plug.
<b>LISTINGS</b>	ETL Safety (U.S. and Canada), ETL Sanitation.
<b>WARRANTY</b>	One year parts and labor, five year warranty on compressor.



1600 Xenium Lane North  
 Minneapolis, MN 55441-3787  
 Phone (763) 923-2441  
 Fax (763) 553-1209  
[www.silverking.com](http://www.silverking.com)



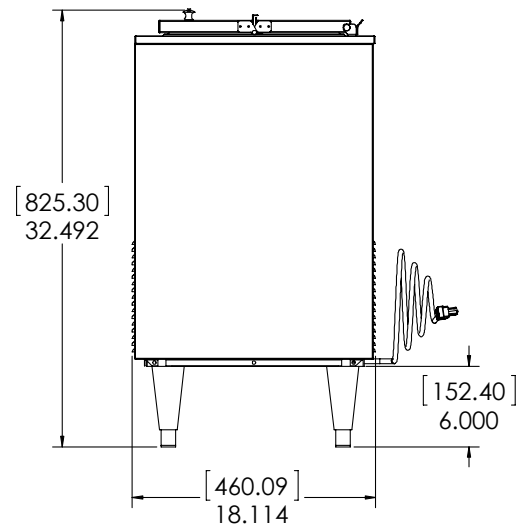
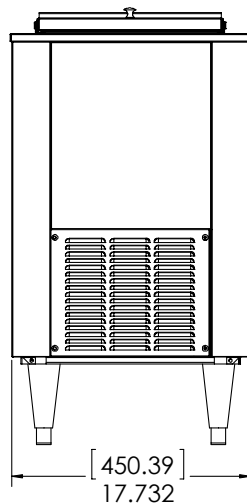
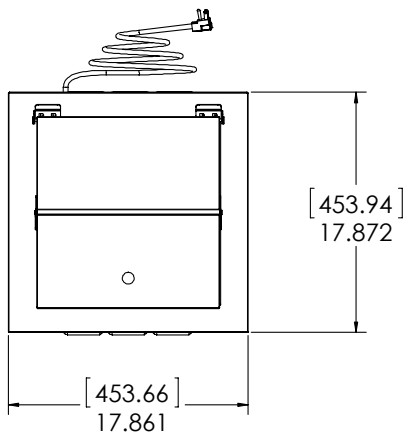
Specifications subject to change without notice.

8/2012  
 © Silver King 2012  
 Printed in U.S.A.



# SKFS Free Standing Freezer

MODEL SKFS



1600 Xenium Lane North  
 Minneapolis, MN 55441-3787  
 Phone (763) 923-2441  
 Fax (763) 553-1209  
 www.silverking.com



Specifications subject  
 to change without notice.

8/2012  
 © Silver King 2012  
 Printed in U.S.A.