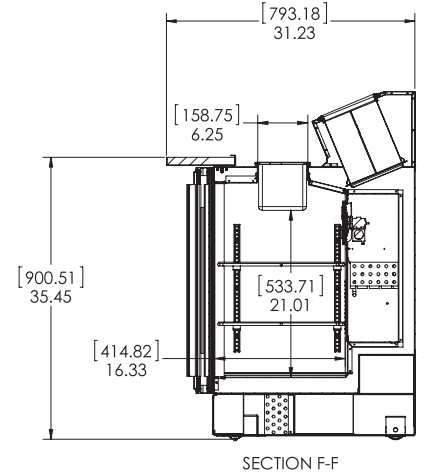
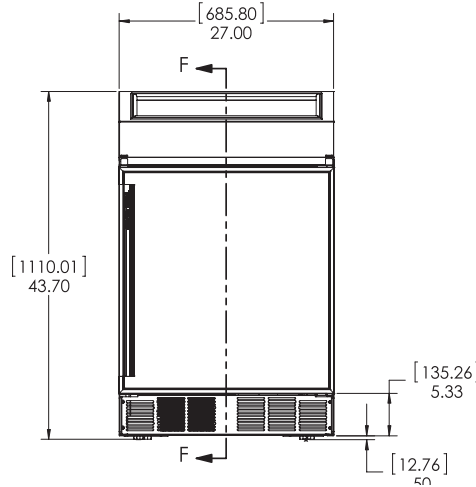
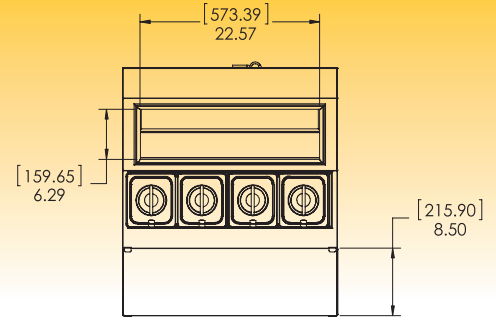




# SKF2A Fountainette

MODEL SKF2A/C5



MODEL	LENGTH	DEPTH	HEIGHT	STORAGE CAPACITY	SHELVES	SHELF AREA	AMPS	COMPRESSOR	SHIPPING WEIGHT
SKF2A/C5	27"	31.23"	43.7"	6 cu. ft.	2	8.8 sq. ft.	4.6	1/6 hp	225 lbs

- EXTERIOR** Stainless steel, galvanized back.
- INTERIOR** Aluminum with coved corners throughout for fast, easy, cleaning and sanitation.
- INSULATION** Environmentally friendly foamed-in-place polyurethane insulation for maximum insulation, strength and durability.
- SHELVES** Heavy gage wire shelves are hand dipped, not sprayed, providing double thick epoxy coating for superior durability and smooth finish. Adjustable in 1/2 increments on stainless steel casters.
- DOOR** Polyurethane insulation, extruded aluminum frame, stainless steel exterior door panel and extra heavy-duty magnetic "Thermo Rubber" door gasket combine to make the toughest, longest door in the industry. Easily field reversible.
- DOOR GASKETS** Santo Prene material lasts four times industry standard.
- OPTION** 22590-02 Pumps and jar kit.
- STANDARD** Stainless steel topping pans –four 1/6 size (6" deep) with covers and ladles, 2" recessed casters, 8.5" cutting board
- REFRIGERATION** CFC-free, 134a refrigerant, hermetically sealed, high efficiency, self contained refrigeration system features automatic defrost and forced air circulation. Adjustable temperature control and built-in temperature indicator standard. Automatic condensate evaporator means no plumbing or floor drains.
- ELECTRICAL** Standard 115 volt, 60Hz, single phase, 8 foot, 3-wire power cord with NEMA 5-15 plug.
- LISTINGS** ETL Safety (U.S. and Canada), ETL Sanitation.
- WARRANTY** One year parts and labor warranty. Five year warranty on compressor.



1600 Xenium Lane North  
 Minneapolis, MN 55441-3787  
 Phone (763) 923-2441  
 Fax (763) 553-1209  
 www.silverking.com



Specifications subject to change without notice.

10/13  
 © Silver King 2012  
 Printed in U.S.A.