



SKDI Drop in Freezer

MODEL SKDI



MODELS	HEIGHT	WIDTH	DEPTH	STORAGE CAPACITY	AMPS	COMPRESSOR	SHIPPING WEIGHT
MODEL SKDI	24.59" less lid	16.59"	16.57"	1 cu. ft.	1.8	1/8 hp	80 lbs

EXTERIOR	Heavy gauge, galvanized steel and base assembly. Stainless steel top.
INTERIOR	Stainless steel with coved corners for fast, easy cleaning. Anti-condensation heater around top opening to prevent moisture formation.
INSULATION	Environmentally friendly foamed-in-place polyurethane insulation for maximum efficiency, strength and durability.
REFRIGERATION	CFC-Free, hermetically sealed, self contained system with fan cooled condenser. Cold wall evaporator provides optimum ice cream dipping temperature. Adjustable temperature control.
ELECTRICAL	Standard as 115 volt, 60 Hz, single phase operation furnished with 7 foot power cord with NEMA 5-15P plug. Also available in 230 volt, 50 Hz, single phase.
LISTINGS	ETL Safety (U.S. and Canada), ETL Sanitation.
WARRANTY	One year parts and labor, five year warranty on compressor.



1600 Xenium Lane North
 Minneapolis, MN 55441-3787
 Phone (763) 923-2441
 Fax (763) 553-1209
www.silverking.com



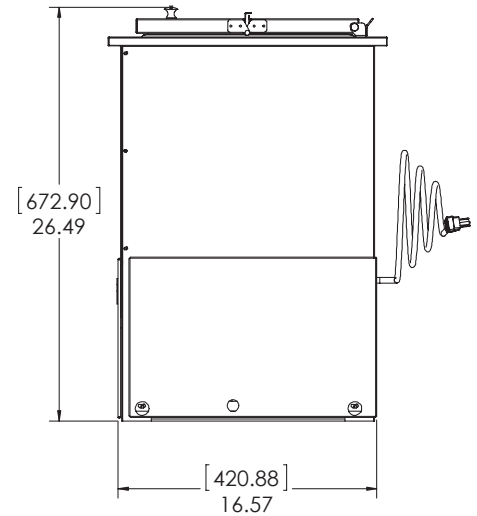
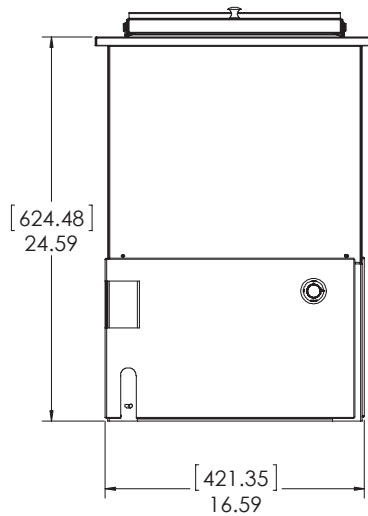
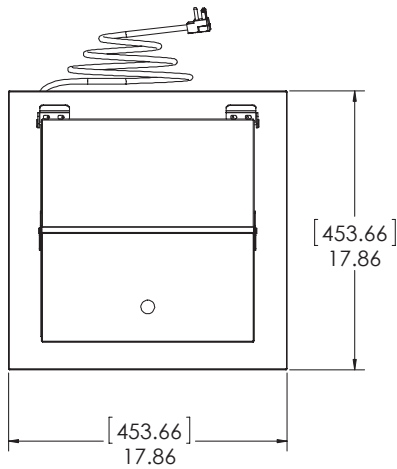
Specifications subject to change without notice.

8/2012
 © Silver King 2012
 Printed in U.S.A.



SKDI Drop in Freezer

MODEL SKDI



1600 Xenium Lane North
Minneapolis, MN 55441-3787
Phone (763) 923-2441
Fax (763) 553-1209
www.silverking.com



Specifications subject to change without notice.

8/2012
© Silver King 2012
Printed in U.S.A.