



IDC Red Interactive Post-Mix Ice Drink Dispenser

Specification Guide



IDC RED



Features

Choices and Interactive Dispense

Up to 20 brands, 8 flavor shots and over 3,260 drink combinations

Merchandising and Marketing

Commercial-grade 32" diagonal HD promotional display video merchandiser delivers Coca-Cola brand

Dual Dispense Points

Dual touch screen/nozzle for simultaneous dispense

Dual Pivot Door

Zero clearance for ease of service and maintenance

Virtual Assistance

On-screen troubleshooting and setup wizard

Universal Adapter Kit

No adapter kit required for standard ice makers

Durable

Durabide™ designed one-piece ABS thermoformed plastic provides durability

Easy Access and Easy to Clean

Modular design allows for easy access from front of unit, while merchandiser and lower panel is made of scratch-resistant, easy to clean material

ADA Compliant

Meets ADA requirements on a 34" counter

Quality Drink. Every time.

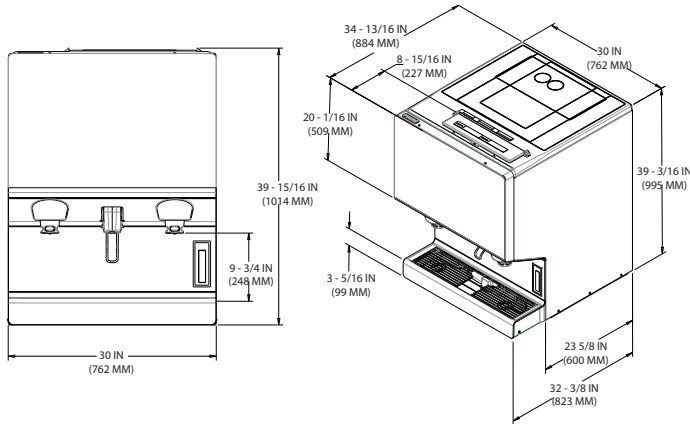
Active cooling technology to ensure consistent beverage temperature and quality



IDC Red Interactive Post-Mix Ice Drink Dispenser

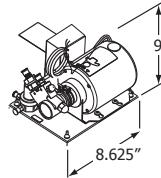
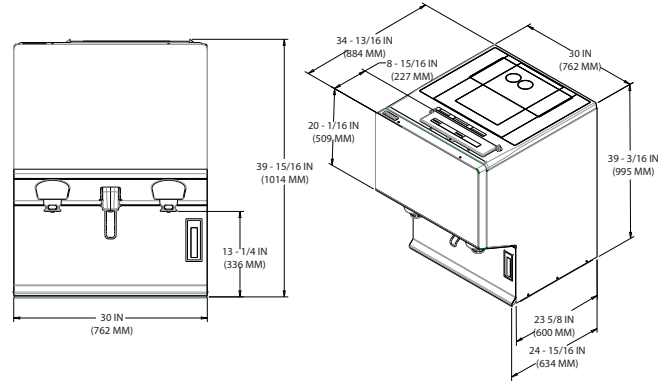
Specification Guide

IDC Red with Drip Tray



Allow for 4" clearance behind the dispenser if mounting an ice maker.

IDC Red without Drip Tray





NOTE: PUMP & MOTOR ASSEMBLY MUST BE POSITIONED WITHIN 8 FEET OF THE DISPENSER

Model Number	Description
621058687	IDC Red (with drip tray) 20 brands (10 per side) 8 flavor shots (4 per side)
621058688	IDC Red Z-Style (without drip tray) 20 brands (10 per side) 8 flavor shots (4 per side)

Units come standard with universal adapter kit. No adapter required for standard ice makers 22"W x 24" D or 30"W x 24"D. For ice makers of a different size, contact Customer Care.

Technical Specifications

Dimensions	39 3/16"H x 30"W x 34 1/2"D
Screen Dimensions	32" Diagonally
Counter Weight	440 lbs. (plus ice capacity)
Shipping Weight	545 lbs.
Capacity	255 lb Ice Bin Capacity for cubed and Chunklet (compressed) ice
Amp Draw	120 V/60 Hz/8.5 amps
Agency Listing	 
Electrical Rating	115 V +/- 10% (only requires single outlet)
Water Supply Pressure	50-60psi at pump

CO₂	90-100 psi bulk CO ₂ to pump deck regulator Note: Regulator on the pump and motor deck is set to 75 psi
Standard Features	Timed agitation and 4" legs
20 Brand Syrups (14 chilled/6 Ambient)	65 psi/min
8 Flavor Shot Syrups (Ambient)	30 psi/max if less than 50' 45 psi/max if more than 50'
Valve	20 Touch Screen Brands (10/nozzle) 8 Touch Screen Flavor Shots (4/nozzle) Electronic TotalFlex™
Flow Rate for Valves	3oz./sec valves
Cup Clearance	9.75"

To learn more and see **IDC Red** in action, contact your commercial partner.

To contact us directly, go to [cornelius.com/contact-us](https://www.cornelius.com/contact-us)