

Visit us at:

WWW.SILVERKING.COM

COLD FACTS BULLETIN

JUNE 12TH, 2008

TO ALL SILVER KING DISTRIBUTORS AND REPRESENTITIVES

SUBJECT: SKF2A & DRY STORAGE CABINET S10345-01

The Dry Storage Cabinet has been discontinued By Silver King Refrigeration. It used to mount to the SKF2A with 8 screws. When the cabinet was discontinued we eliminated 6 of the mounting holes on the outside of the refrigerated cabinet SKF2A. There are two options for the dry storage cabinet. One would be to mount the cabinet with the two holes that are left on the bottom and seal the mating edges with a food grade sealer. The other option would be to order two caster kits (10314-48) and just slide the dry storage cabinet against the SKF2A, and have it moveable by itself.

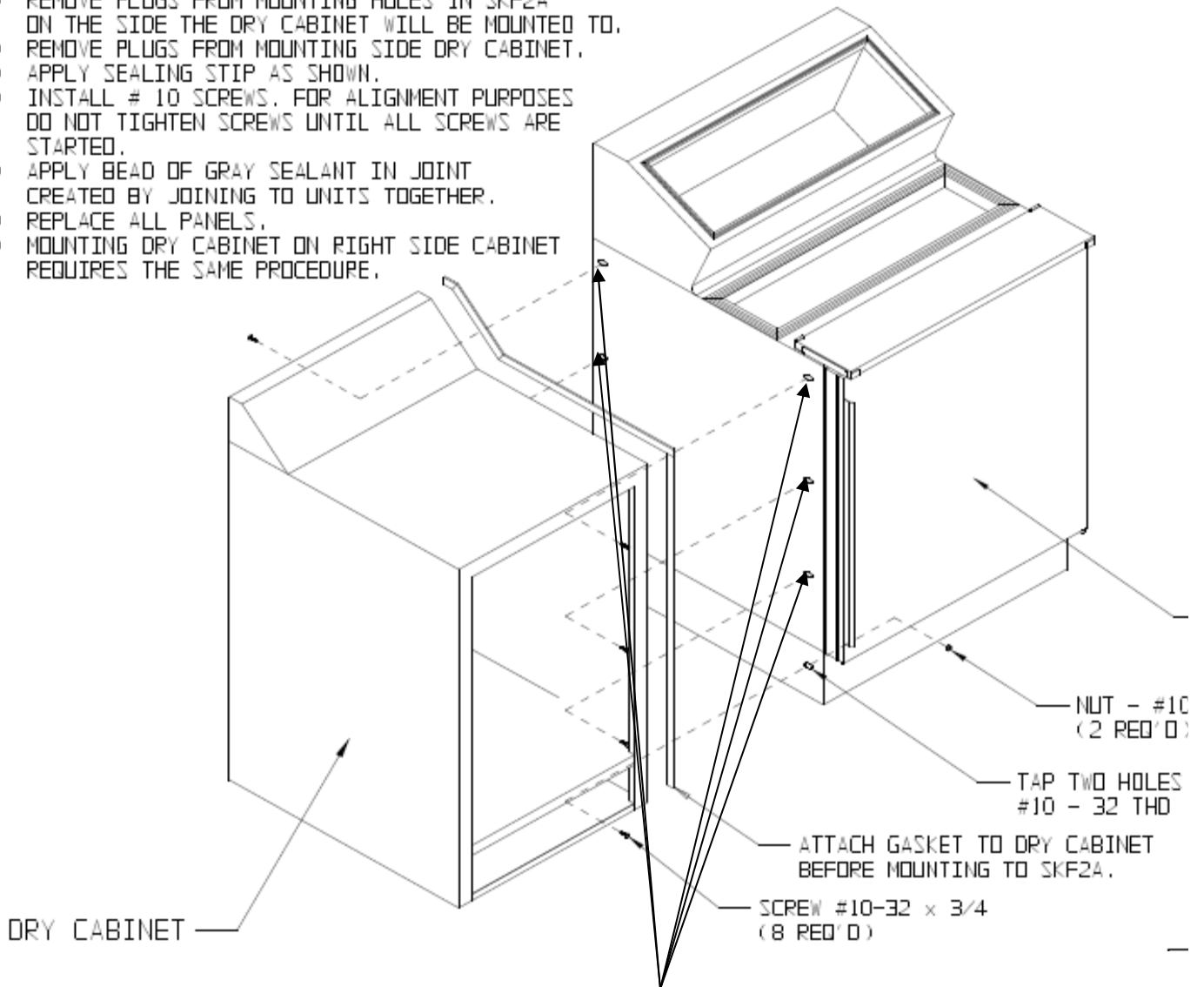


U.S. and Canada

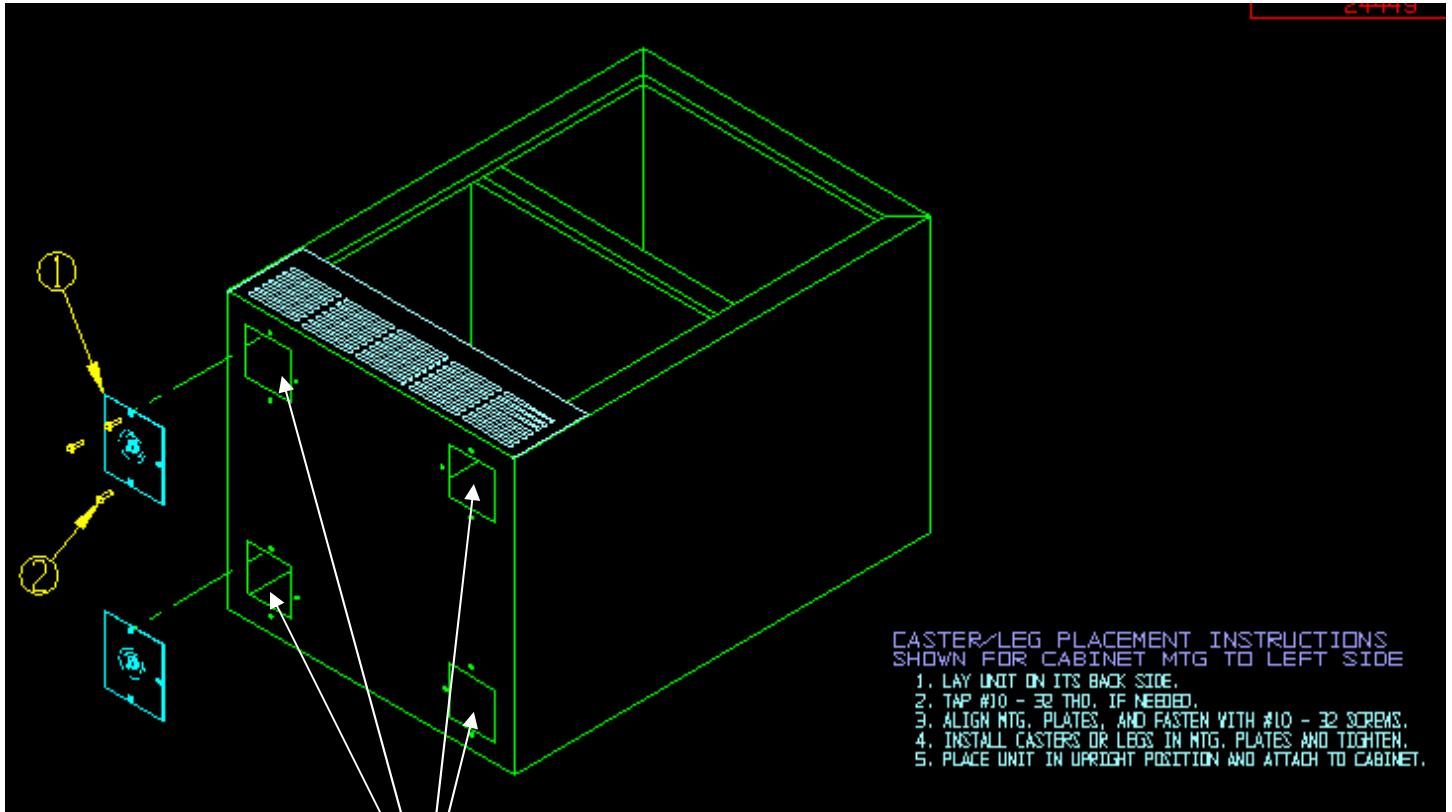
Silver King Refrigeration
1600 Xenium Lane North
Minneapolis, MN 55441-3787
Phone (763) 923-2441



-) REMOVE LOWER FRONT PANEL AND BACK PANELS.
-) REMOVE PLUGS FROM MOUNTING HOLES IN SKF24 ON THE SIDE THE DRY CABINET WILL BE MOUNTED TO.
-) REMOVE PLUGS FROM MOUNTING SIDE DRY CABINET.
-) APPLY SEALING STIP AS SHOWN.
-) INSTALL # 10 SCREWS. FOR ALIGNMENT PURPOSES DO NOT TIGHTEN SCREWS UNTIL ALL SCREWS ARE STARTED.
-) APPLY BEAD OF GRAY SEALANT IN JOINT CREATED BY JOINING TO UNITS TOGETHER.
-) REPLACE ALL PANELS.
-) MOUNTING DRY CABINET ON RIGHT SIDE CABINET REQUIRES THE SAME PROCEDURE.



Six mounting holes have been removed. Leaving the two bottom holes available for securing and requires a food grade sealer to be placed on the cabinet faces to secure the gasket to both units.



Here is where you would install the two caster kits (10314-48) on the Dry Storage Cabinet. This makes the storage cabinet fully mobile.